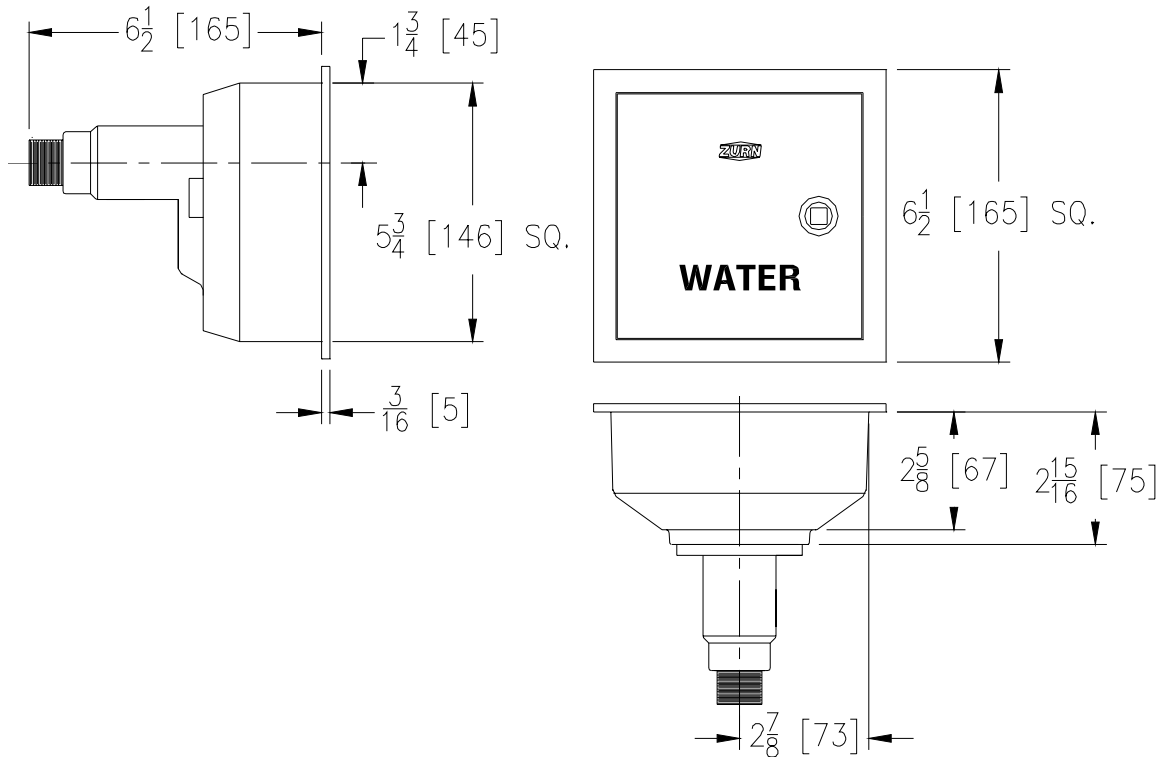


Dimensional Data (inches and [mm]) are Subject to Manufacturing Tolerances and Change Without Notice



Wall Thickness In Inches	Approx. Wt. Lbs. [kg]
N/A	6 [1]

ENGINEERING SPECIFICATION: Z1330-C Encased Ecolotrol, anti-siphon, automatic draining, wall hydrant for moderate climate and interior wall installation, complete with integral backflow preventer, all bronze interior parts, non-turning operating coupling with free-floating compression closure valve, and combination 3/4 [19] female solder and 3/4 [19] male pipe thread inlet connection standard. Regularly furnished with 3/4 [19] hose connection. Chrome-plated rough cast bronze box and hinged cover. Includes operating key.

OPTIONS (Check/specify appropriate options)

SUFFIXES

- ____ -34EL 3/4 [19] 90° Solder Inlet Elbow
- ____ -34FIP 3/4 [19] Female Pipe Thread Connection
- ____ -CL Cylinder Lock
- ____ -NB Polished Nickel Bronze Finish
- ____ -PB Polished Bronze Finish
- ____ -RK Hydrant Parts Repair Kit
- ____ -SS Stainless Steel Finish



1011