

## WINDPRO® PLUS



### DOUBLE SIDED SIDEWALK SIGNS WITH FLEXIBLE SPRING AND WATERWICK DESIGN

With increase performance, WindPro® Plus is more durable against outdoor conditions. It consists of 2 main articles: frame and the base. The gasket in frame provides high vacuuming to UV resistant poster protection to keep the poster dry. PET is fixed on the top profile to help easy poster change. The poster stickers which is suitable for re-use upto 100 times are also keep the poster in place avoid sliding down the frame get wet. No sharp edges and has steel springs for flexibility. Poster use is double sided.

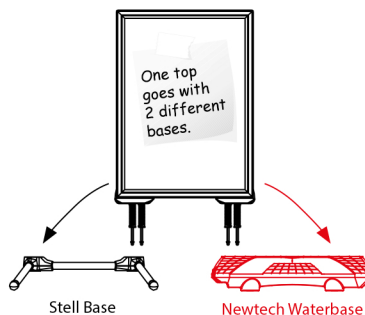
### KEY SELECTION ATTRIBUTES

- \* Double-sided Pavement Sign with swinging steel spring design for flexibility and stability.
- \* Patent protected (PCT/EP2018/060515) WindPro Plus is heavy and robust pavement sign for OUTDOOR use with 2 main parts: frame and the waterbase.
- \* Weatherproof & Wind Resistant: Suitable for windy outdoor conditions and rainy conditions with a rubber seal around the frame for protecting the poster within.
- \* Suitable for 22"x28" (559x711 mm), 24"x36" (610x914 mm), 30"x40" (762x1016 mm), 20"x30" (508x762 mm), A0 (841x1189 mm), A1 (594x841 mm), B1 (700x1000 mm), B2 (500x700 mm) and F0 (800x1200 mm) poster sizes.
- \* One set includes a double sided snap open 44 mm aluminium profile swing master frame with 33mm depth, adhesive poster tapes for avoiding sliding down, clear cover hangers and round mitred corners for safety, 2 anti-reflex PET poster covers, 1 strong PP backing, nuts, spanners, heavy water base profile with washers for installation.
- \* Please place the poster on stickers inside the water wick around the inner frame. The gasket in frame provides high vacuuming to UV resistant poster

- protection to keep the poster dry. PET is fixed on the top profile to help easy poster change. The poster stickers are also keep the poster in place avoid sliding down the frame and getting wet.
- \* Optional header accessories are available upon request, not included in standard set. If the frame of WindPro Lite is required with a "HEADER" option, then the standard frames cannot be used, header enabled frames must be ordered. Please contact our sales department for the frames suitable for use with header.
- \* Heavy waterbase provide stability.
- \* Natural silver-anodized, black in standard and various RAL colors available with antimicrobial powder coating. Base standard in dark grey color or black, other colors are available upon request.
- \* Packed unassembled with an easy mounting instruction sheet & fixing set. Assembly in 60 seconds.
- \* Please use the wrench enclosed and tighten carefully. If tightened too much, the base can breach.



Black



Stell Base

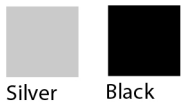
Newtech Waterbase



Silver

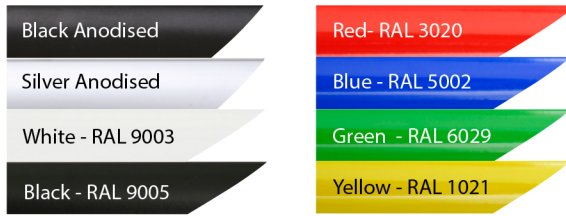


# COLOURS IN STOCK



Silver Black

# COLOUR OPTIONS



# SUITABLE FOR

WindPro Lite can be used for INDOOR and OUTDOOR applications, for signage needs in many locations like shopping centers, markets, groceries, hotels, offices airports, shops and stores, hospitals, schools, apartments and many more.

## WATCH VIDEO



Watch video at our website  
www.mtdisplays.com

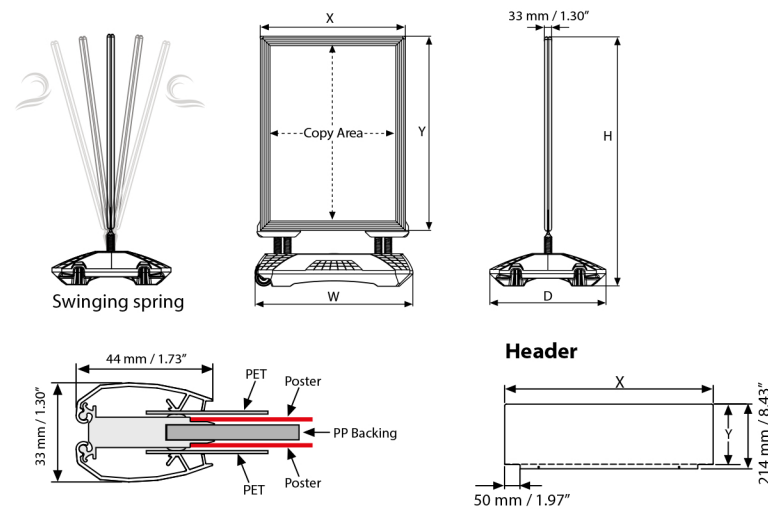
## FEATURES



## EXPLODED VIEW



## TECHNICAL DRAWING



## ARTICLES

FRAME					WEIGHT	PACKING SIZE
SILVER	BLACK	EXTERNAL (x-y)	POSTER	COPY	WITH PACKING	*W X H X D
USWPP00NA1	USWPP00BA1	671 X 918 mm	594 X 841 mm	582 X 829 mm	8,000 kg	705 X 1180 X 40 mm
USWPP00NA0	USWPP00BA0	918 X 1266 mm	841 X 1189 mm	829 X 1177 mm	12,000 kg	960 X 1545 X 40 mm
USWPP00NB1	USWPP00BB1	777 X 1077 mm	700 X 1000 mm	688 X 988 mm	10,200 kg	815 X 1320 X 40 mm
USWPP00NB2	USWPP00BB2	577 X 777 mm	500 X 700 mm	488 X 688 mm	6,800 kg	610 X 1020 X 40 mm
USWPP00N23	USWPP00B23	23.03" X 33.03"	20" X 30"	19.53" X 29.53"	17.526 lbs	24.21" X 43.31" X 1.57"
USWPP00N34	USWPP00B34	33.03" X 43.03"	30" X 40"	29.53" X 39.53"	24.912 lbs	34.45" X 53.15" X 1.57"
USWPP00N22	USWPP00B22	25.03" X 31.03"	22" X 28"	21.53" X 27.53"	17.526 lbs	26.18" X 40.55" X 1.57"
USWPP00N24	USWPP00B24	27.03" X 39.03"	24" X 36"	23.53" X 35.53"	19.731 lbs	27.95" X 48.82" X 1.57"
USWPP00NF0	USWPP00BF0	918 X 1398 mm	841 X 1321 mm	853 X 1333 mm	13,000 kg	880 X 1500 X 40 mm

NEWTECH WATERBASE: HLDPE							WEIGHT	PACKING SIZE
SILVER	BLACK	SIZE	FOR	H	W	D	WITH PACKING	*W X H X D
UTWM003000	UTWM003010	720 X 530 mm	20"X30"	42.87"	28.35"	20.87"	4,480 kg	555 X 750 X 178 mm
			22"X28"	40.87"	28.35"	20.87"		
			24"X36"	48.90"	28.35"	20.87"		
			B2	1027 mm	720 mm	530 mm		
			A1	1168 mm	720 mm	530 mm		
UTWM004000	UTWM04010	900 X 630 mm	30"X40"	52.87"	35.43"	24.80"	6,850 kg	605 X 930 X 178 mm
			B1	1327 mm	900 mm	630 mm		
			A0	1516 mm	900 mm	630 mm		
			F0	1242 mm	900 mm	630 mm		

## OPTIONAL ACCESSORIES



SwingPro® Plus & WindPro® Plus header (3 PVC Foam)

HEADER: 3 mm PVC Foam			WEIGHT
ARTICLE	SIZE	PRINTING AREA (x-y)	WITH PACKING
UYFT0050A1	594 X 841 mm	671 X 200 mm	2,640 kg
UYFT0050A0	841 X 1189 mm	918 X 200 mm	3,615 kg
UYFT0050B1	700 X 1000 mm	777 X 200 mm	3,060 kg
UYFT005022	500 X 700 mm	635 X 200 mm	2,500 kg
UYFT005023	20" X 30"	23.03" X 7.87"	0.507 lbs
UYFT005024	30" X 40"	33.03" X 7.87"	0.738 lbs
UYFT005034	22" X 28"	25" X 7.87"	0.551 lbs
UYFT005046	24" X 36"	27.05" X 7.87"	0.595 lbs
UYFT0050F0	F0	877 X 200 mm	3,500 kg



Optional carry tool. UYUP480945



T: +90 850 433 67 85 / info@mtdisplays.com / www.mtdisplays.com



# PHYSICAL DATA

## Material

44mm aluminium profile snap open swing master frame, PET anti-reflex poster cover, PP backing, steel profile base. Optional PVC Foam headers

## Poster Material & Thickness

0,10 – 0,20 mm with gasket/water wick for standard product. Max poster thickness is 2 mm for low density rigid posters such as PVC foam, PP, etc. Any non-standard poster thickness should be indicated with order.

## Surface Finish

Natural silver-anodized, black in standard and various RAL colors available with antimicrobial powder coating. Base standard in dark grey color or black, other colors are available upon request. Call for custom color requests.

## Recycled Content

For frame part up to 78% and for base part up to 40% recycled content used.

## Warranty

All products are guaranteed for 3 years by MT Displays with below conditions:

[Warranty Conditions](#)

## Storage Conditions

Goods should be stored at 0° to 25°C in a dry place. Store in the original package.

## Installation Considerations

Base standard in dark grey color or black. Other colors are available upon request. Ground wheels in upside position enable easy movement of the product. Please note that if the frame of SwingPro Plus and WindPro Plus is required with a "HEADER" option, then the standard articles cannot be used, please contact our sales department for the articles with a header option. Do not forget to order carry tool. Please place the poster on stickers inside the water wick around the inner frame. Do not forget to order carry tool. Assembly in 60 seconds.

## Design Considerations

Double-sided Pavement Sign with swinging steel spring design for flexibility and stability. Patent protected WindPro Plus is heavy and robust pavement sign for OUTDOOR use with 2 main parts: frame and the base. Suitable for windy outdoor conditions and rainy conditions with a rubber seal around the frame for protecting the poster within. Suitable for 22"x28" (559x711 mm), 24"x36" (610x914 mm), 30"x40" (762x1016 mm),

20"x30" (508x762 mm), A0 (841x1189 mm), A1 (594x841 mm), B1 (700x1000 mm), B2 (500x700 mm) and F0 (800x1200 mm) poster sizes. Heavy waterbase provide stability.

## Cleaning and Disinfecting

Clean your displays, with damp microfiber clothes, rinsed with simply water or warm, soapy or gentle shampooed water. Avoid using vinegar, abrasive, acidic, alcohol-based or heavy cleaners or cleaners containing Ammonia. Only after cleaning the product, if needed, simply apply disinfectant or sanitizer that is in compliance with your local guidelines and regulations.

## Patent

OHIM DM/098 297, PCT/EP2018/060515

# PRINT TEMPLATES

## Windpro Plus - A1

Document Size: 604 x 851 mm (Includes Bleeds)

Finished Size: A1 (594 x 841 mm) [Print](#)

## Windpro Plus - A0

Document Size: 851 x 1199 (Includes Bleeds)

Finished Size: A0 (841 x 1189 mm) [Print](#)

## Windpro Plus - B2

Document Size: 510 x 710 (Includes Bleeds)

Finished Size: B2 (500 x 700 mm) [Print](#)

## Windpro Plus - B1

Document Size: 710 x 1010 (Includes Bleeds)

Finished Size: B1 (700 x 1000 mm) [Print](#)

## Windpro Plus - 20" x 30"

Document Size: 20.4" x 30.4" (Includes Bleeds)

Finished Size: 20" x 30" (508 x 762 mm) [Print](#)

## Windpro Plus - 22" x 28"

Document Size: 22.4" x 28.4" (Includes Bleeds)

Finished Size: 22" x 28" (558.8 x 711.2 mm) [Print](#)

## Windpro Plus - 24" x 36"

Document Size: 24.4" x 36.4" (Includes Bleeds)

Finished Size: 24" x 36" (609,6 x 914,4 mm) [Print](#)

## Windpro Plus - 30" x 40"

Document Size: 30.4" x 40.4" (Includes Bleeds)

Finished Size: 30" x 40" (762 x 1016 mm) [Print](#)

## Windpro Plus - F0

Document Size: 863 x 1343 (Includes Bleeds)

Finished Size: 853 x 1333 mm [Print](#)

