



# WSB270

## 21" Heavy-Duty Big Stik® 2-Speed Immersion Blender



21" Heavy-Duty Big Stik® 2-Speed Immersion Blender



### MAIN FEATURES

- 1 HP, heavy-duty motor
- 750W 2-speed motor – 16,000 & 18,000 RPM
- 50-gallon / 200-quart / 189.2-liter capacity
- Color-changing LED to indicate Hi/LOW speed & status
- ON/OFF rocker switch and ergonomic dual-trigger handle with rubberized comfort grip for added control and reduced fatigue
- Continuous ON feature
- User-replaceable couplings on power pack and shaft
- All-purpose stainless steel blade
- Convenient cord wrap for easy cord storage
- Rubberized comfort grip and second handle for safe and controlled operation
- Completely sealed 21" stainless steel shaft is easily removable and dishwasher safe
- Universal power pack fits all shafts and whisk attachment
- Limited One Year Warranty

### SALES FEATURES

The Waring® WSB270 21" Heavy-Duty 2-Speed Immersion Blender delivers powerful, foolproof blending with a rugged motor and interchangeable shafts, including the standard 21" shaft for 50-gallon batches. With two calibrated speeds for consistent results and minimal training, it's the reliable workhorse for fast, repeatable prep without unnecessary complexity.

### ELECTRICAL

Voltage: 120

Frequency: 60Hz

Watts: 750

Amps: 6.25

Plug Type: NEMA 5-15P 

Cord Length: 10 feet



@waringproducts

©2026 Waring

314 Ella T. Grasso Avenue, Torrington, CT 06790

Tel. 800-492-7464 • Fax 860-496-9008

waring.com

WSB270



# 21" Heavy-Duty Big Stik® 2-Speed Immersion Blender WSB270

## PARTS & ACCESSORIES



**WSB50XST**  
12" Stainless Steel Shaft



**WSBWP**  
10" Whipping Paddle Set for Heavy-Duty Big Stik® Immersion Blenders



**WSB55XST**  
14" Stainless Steel Shaft



**WSB2PP**  
Heavy-Duty Big Stik® 2-Speed- Power Pack



**WSB60XST**  
16" Stainless Steel Shaft



**WSBBC**  
Big Stik® Immersion Blender Bowl Clamp



**WSB65XST**  
18" Stainless Steel Shaft



**WSB01**  
Wall Hanger for Immersion Blenders



**WSB70XST**  
21" Stainless Steel Shaft

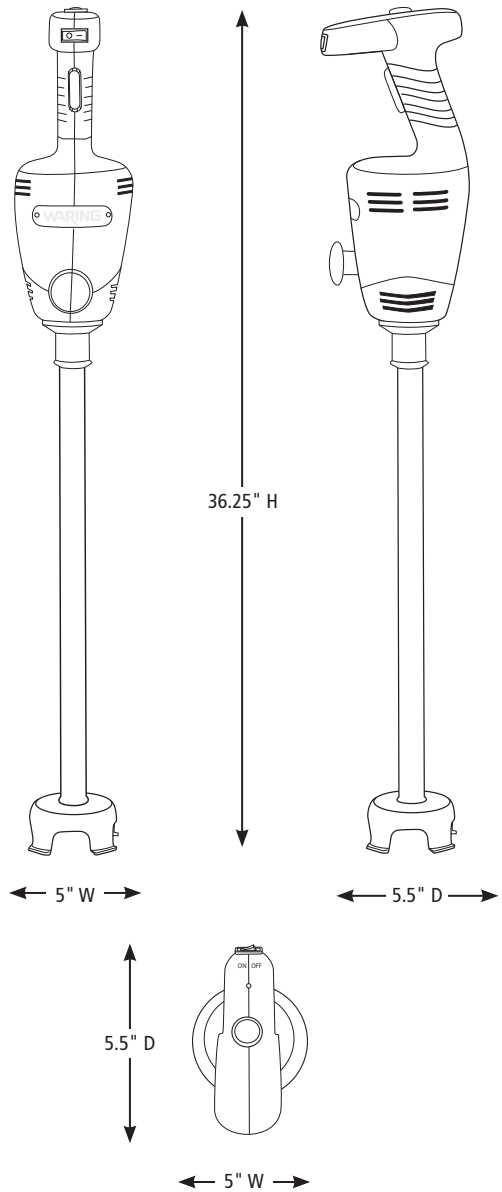


**CAC206**  
Coupling Replacement Kit for Heavy-Duty Big Stik® EvolutionX and 2-Speed



**WSB2WX**  
10" Stainless Steel Whisk Attachment for Big Stik® Immersion Blenders

## DIMENSIONS



Out of Box Weight: 11.6 lb.

ORDERING INFORMATION	#STD. PKG.	GIFTBOX WEIGHT	CUBIC FEET	BOX DIMENSIONS D X W X H	UPC	CASE PKG.	MC WEIGHT	MC DIMENSIONS D X W X H	MBC
WSB270 – 21" Heavy-Duty Big Stik® 2-Speed Immersion Blender	1	13.8 lb.	1.17	6.25" x 12.5" x 25.875"	040072107351	2	27.6 lb.	26.875" x 14.25" x 14.125"	10040072107358



@waringproducts

©2026 Waring  
314 Ella T. Grasso Avenue, Torrington, CT 06790  
Tel. 800-492-7464 • Fax 860-496-9008

waring.com

25WC96457 / REV 01/26