



WSB250

12" Heavy-Duty Big Stik® 2-Speed Immersion Blender



12" Heavy-Duty Big Stik® 2-Speed Immersion Blender



MAIN FEATURES

- Heavy-duty 1 HP motor
- 750W 2-speed motor – 16,000 & 18,000 RPM
- 10-gallon / 40-quart / 37.8-liter capacity
- Color-changing LED to indicate Hi/Lo speed and status
- ON/OFF rocker switch and ergonomic dual-trigger handle with rubberized comfort grip for added control and reduced fatigue
- Continuous ON feature
- User-replaceable couplings on power pack and shaft
- All-purpose stainless steel blade
- Convenient cord wrap for easy cord storage
- Rubberized comfort grip and second handle for safe and controlled operation
- Completely sealed 12" stainless steel shaft is easily removable and dishwasher safe
- Universal power pack fits all shafts and whisk attachment
- Limited one-year warranty

ELECTRICAL

Voltage: 120

Frequency: 60Hz

Watts: 750

Amps: 6.25

Plug Type: NEMA 5-15P 

Cord Length: 10 feet



SALES FEATURES

The Waring® WSB250 12" Heavy-Duty 2-Speed Immersion Blender delivers powerful, foolproof blending with a rugged motor and interchangeable shafts, including the standard 12" shaft for 10-gallon batches. With two calibrated speeds for consistent results and minimal training, it's the reliable workhorse for fast, repeatable prep without unnecessary complexity.



@waringproducts

©2026 Waring

314 Ella T. Grasso Avenue, Torrington, CT 06790

Tel. 800-492-7464 • Fax 860-496-9008

waring.com

WSB250



12" Heavy-Duty Big Stik® 2-Speed Immersion Blender WSB250

PARTS & ACCESSORIES



WSB50XST
12" Stainless Steel Shaft



WSBW P
10" Whipping Paddle Set for Heavy-Duty Big Stik® Immersion Blenders



WSB55XST
14" Stainless Steel Shaft



WSB2PP
Heavy-Duty Big Stik® 2-Speed Power Pack



WSB60XST
16" Stainless Steel Shaft



WSBBC
Big Stik® Immersion Blender Bowl Clamp



WSB65XST
18" Stainless Steel Shaft



WSB01
Wall Hanger for Immersion Blenders



WSB70XST
21" Stainless Steel Shaft

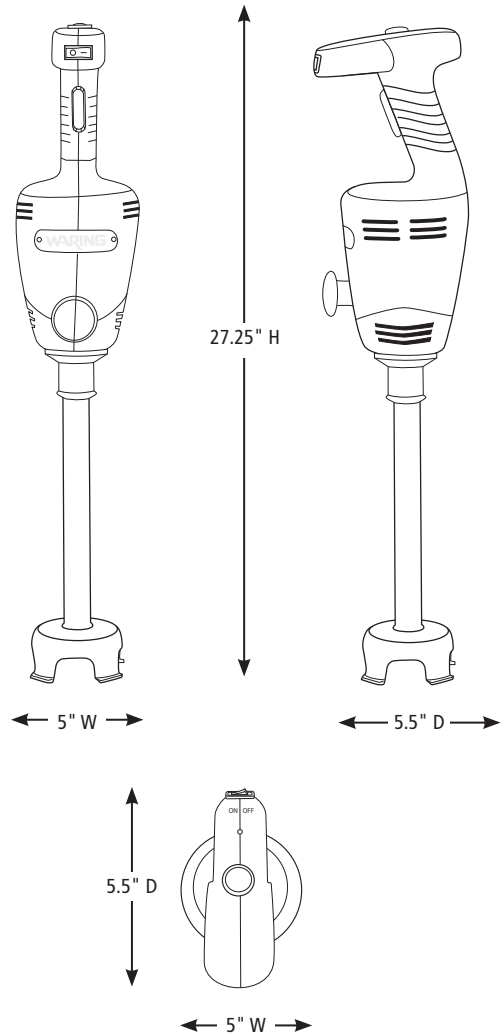


CAC206
Coupling Replacement Kit for Heavy-Duty Big Stik® EvolutionX® and 2-Speed



WSB2WX
10" Stainless Steel Whisk Attachment for Big Stik® Immersion Blenders

DIMENSIONS



Out of Box Weight: 10 lb.

ORDERING INFORMATION	#STD. PKG.	GIFTBOX WEIGHT	CUBIC FEET	BOX DIMENSIONS D X W X H	UPC	CASE PKG.	MC WEIGHT	MC DIMENSIONS D X W X H	MBC
WSB250 – 12" Heavy-Duty Big Stik® 2-Speed Immersion Blender	1	11.85 lb.	0.753	12.5" x 6.125" x 17.00"	040072107276	2	23.7 lb.	14" x 14" x 18"	10040072107273



@waringproducts

©2026 Waring
314 Ella T. Grasso Avenue, Torrington, CT 06790
Tel. 800-492-7464 • Fax 860-496-9008

waring.com

25WC96453 / REV 01/26