

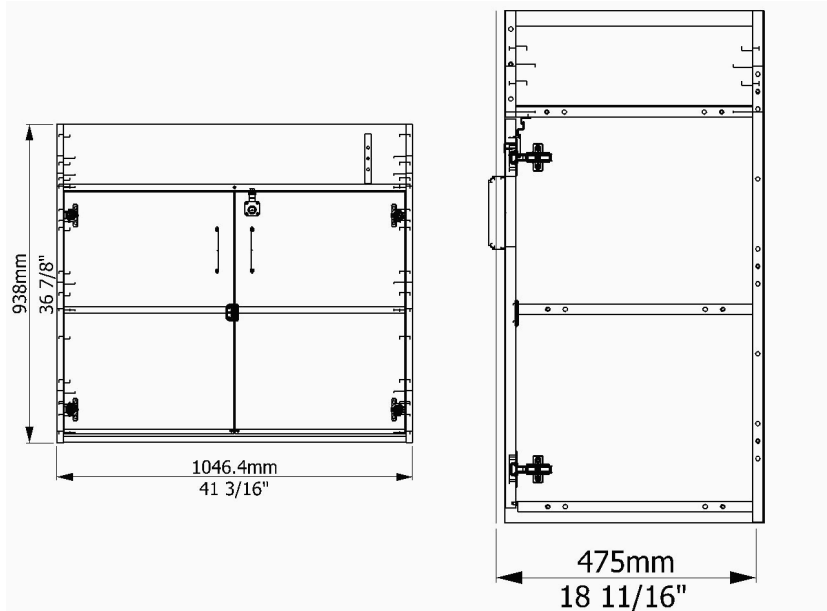
Banding	
Description:	Total Length:
19.2 PVC CBTR 1.0	20
19.2 PVC DDTR 1.0	18
19.2 PVC IOTR 1.0	26

Rev	Comment	DateEntered	EnteredBy
		02/17/2023	scottm

Parts							Board
Description:	Material:	Prog 1:	Prog 2:	Qty:	Width:	Length:	Qty:
Base Left Door	19.2 PB DDEX MEL DDEX MEL	1T0DSE01		1	499.1	711.8	0.111
Base Right Door	19.2 PB DDEX MEL DDEX MEL	1T0DSK02		1	499.1	711.8	0.111
Base Left FE	19.2 PB CBEX MEL CBEX MEL	1T0DRW01		1	475	938	0.167
Base Right FE	19.2 PB CBEX MEL CBEX MEL	1T0DRW02		1	475	938	0.167
Bottom	19.2 PB INTO MEL INTO MEL	1T0DRW03		1	429.3	1008	0.167
Fixed Shelf	19.2 PB INTO MEL INTO MEL	1T0DRW07		1	429.3	1008	0.167
Thick Back	19.2 PB INTO MEL INTO MEL	1T0DRW0B		1	936	1008	0.5
Top	19.2 PB INTO MEL INTO MEL	1T0DRW06		1	432.6	1008	0.167
Top Vertical	19.2 PB INTO MEL INTO MEL	1T0DRW0G		1	145.8	432.6	0.022
Vert Rail Front	19.2 PB INTO MEL INTO MEL	1T0DRW0D		1	195	1008	0.071

Hardware			
Item Number:	Description:	Qty:	Length:
0861-0036000000	Screw Mach PhTr Zinc 8-32x1.00	4	0
0361-0343000000	Hinge Blum IS 110 Soft Dowel	4	0
0861-0042000000	Screw Tapp PhFl Zinc #8 X .68	2	0
0861-0063000000	Screw Tapp PhTr Zinc #8 X .62	2	0
0861-0203000000	Screw Conn HxDc Ni 7mmx 50mm	24	0
0861-0532000000	Screw Tapp PhFl Zinc #7 X .875	4	0
0964-0451000000	Label Blum Hinge Adjustment	1	0
0964-3053000000	Form Registration Card Totmate	1	0
0964-3057000000	Label Clear TM Logo	2	0
0161-0185000000	Pull Advtg Bntwr 128mm MtNi	2	0
0261-1041000001	Lock Core NI SIAM	1	0
0261-1042000000	Lock Deadbolt NI w/Bezel SIAM for Door	1	0
0261-2087000000	Strike Lock Plate Zn Angle	1	0
0263-0296000000	Catch Plate Door Black	1	0
0263-1104000000	Bumper Press-In 8 x 2.5mm Head	2	0
0361-0333000000	Hinge Mtg Plate Blum 0mm	4	0

Packaging					
Item Number:	Description:	Qty:	Width:	Height:	Depth:
0963-3077000000	Pkg Foam Corner 4x2x3 1.5# EPS	8	0	0	0
0964-3081000000	Pkg Honey Angle 1.5T x 6W x 7L	4	0	0	0
0964-3171423719	Pkg P28K Try/Slv 42x37x19	1	0	0	0



Infant Changing Table		
	Date: 2/17/2023 7:20:47AM	Part Number: <b>TMU701A</b>
	DRAWN BY: scottm	
	Rev:	Drawing Number: <b>TMU701A</b>