

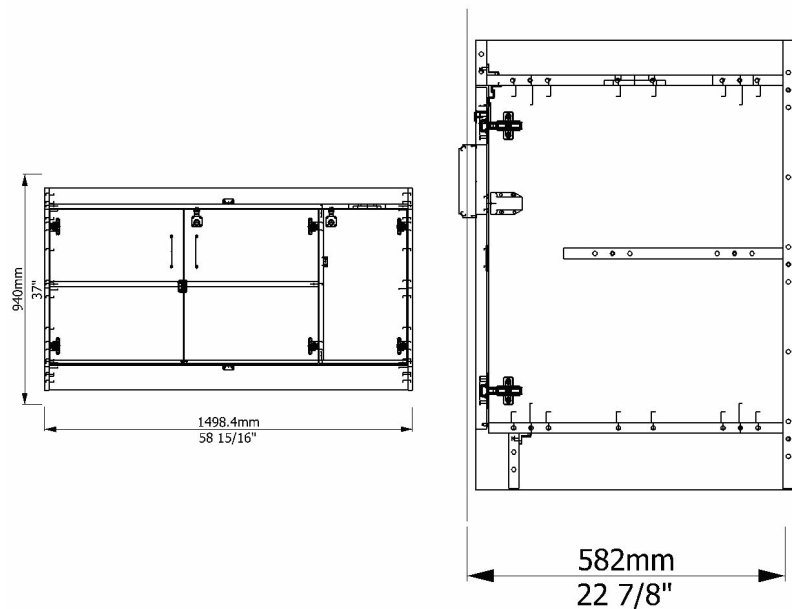
Banding	
Description:	Total Length:
19.2 PVC CBTR 1.0	16
19.2 PVC DDTR 1.0	24
19.2 PVC IOTR 1.0	36

Rev	Comment	DateEntered	EnteredBy
		10/25/2023	scottm

Parts							Board
Description:	Material:	Prog 1:	Prog 2:	Qty:	Width:	Length:	Qty:
Base Left Door	19.2 PB DDEX MEL DDEX MEL	1Y46LE01		1	544.2	627.1	
Base Right Door	19.2 PB DDEX MEL DDEX MEL	1Y46LQ02		1	358.5	627.1	
Base Right Door	19.2 PB DDEX MEL DDEX MEL	1Y46LK02		1	544.2	627.1	
Base Left FE	19.2 PB CBEX MEL CBEX MEL	1Y46KW01		1	582	825	
Base Right FE	19.2 PB CBEX MEL CBEX MEL	1Y46KW02		1	582	825	
Bottom	19.2 PB INTO MEL INTO MEL	1Y46KW03		1	540.3	1460	
Fixed Shelf	19.2 PB INTO MEL INTO MEL	1Y46KW07		1	402	1098.2	
Thick Back	19.2 PB INTO MEL INTO MEL	1Y46KW0B		1	823	1460	
Toe Kick	19.2 PB INTO MEL INTO MEL	1Y46KW0C		1	101.6	1460	
Top	19.2 PB INTO MEL INTO MEL	1Y46KW06		1	543.6	1460	
Vert Rail Front	19.2 PB INTO MEL INTO MEL	1Y46KW0D		1	83.5	1460	
Vertical Trash	19.2 PB INTO MEL INTO MEL	1Y46KW09	1Y46KX09	1	539.8	618.3	

Hardware				
Item Number:	Description:	Qty:	Length:	
0964-3475000000	Label Child Attn Warning	1	0	
1063-0791043000	Top Change Tbl ABS 5' RSnk 7"D	1	0	
1063-2632000000	Waste Basket Uline S-9970GR	1	0	
1064-0002000000	Paper Roll 18InX 125ft	1	0	
0161-0185000000	Pull Advtg Bntwr 128mm MtNi	2	0	
0261-1041000001	Lock Core NI SIAM	2	0	
0261-1042000000	Lock Deadbolt NI w/Bezel SIAM for Door	2	0	
0261-2087000000	Strike Lock Plate Zn Angle	2	0	
0263-0269361000	Fstrn Tabor Prl Corner Block	2	0	
0263-0296000000	Catch Plate Door Black	1	0	
0263-1104000000	Bumper Press-In 8 x 2.5mm Head	4	0	
0263-3096000000	Latch Pressure Non-Mag 8kg	1	0	
0361-0153000000	Hinge Mtg Plate Salice 6mm S-O	2	0	
0361-0174000000	Hinge Conc Salice I-S SPR 110 S-C	2	0	
0361-0333000000	Hinge Mtg Plate Blum 0mm	4	0	
0361-0343000000	Hinge Blum IS 110 Soft Dowel	4	0	
0661-1068000000	Plbg Strainer Flat SS #SS-400	1	0	
0661-1258000000	Fauc PEER P288 Gsnk 4"	1	0	
0663-1069000000	Plbg Elbow PVC 16x 1.5" Tail Piece	1	0	
0861-0036000000	Screw Mach PhTr Zinc 8-32x1.00	4	0	
0861-0042000000	Screw Tapp PhFl Zinc #8 X .68	6	0	
0861-0063000000	Screw Tapp PhTr Zinc #8 X .62	10	0	
0861-0203000000	Screw Conn HxDc Ni 7mmx 50mm	18	0	
0861-0205000000	Screw Conn HxFl Zinc 7mmx 50mm	4	0	
0861-0532000000	Screw Tapp PhFl Zinc #7 X .875	8	0	
0963-2636000000	Label Decal Push Here	1	0	
0964-0451000000	Label Blum Hinge Adjustment	1	0	
0964-3113000000	Instr Change Top Care	1	0	
0964-3373000000	Form Registration Card TM ChTb	1	0	

Packaging					
Item Number:	Description:	Qty:	Width:	Height:	Depth:
0963-3077000000	Pkg Foam Corner 4x2x3 1.5# EPS	8	0	0	0
0964-3081000000	Pkg Honey Angle 1.5T x 6W x 7L	4	0	0	0
0964-3171603824	Pkg P28K Try/Slv 60x38x24	1	0	0	0



Infant Changing Table

	Date: 10/25/2023	Part Number: TMU401A
	DRAWN BY: scottm	
	Rev:	Drawing Number: TMU401A