

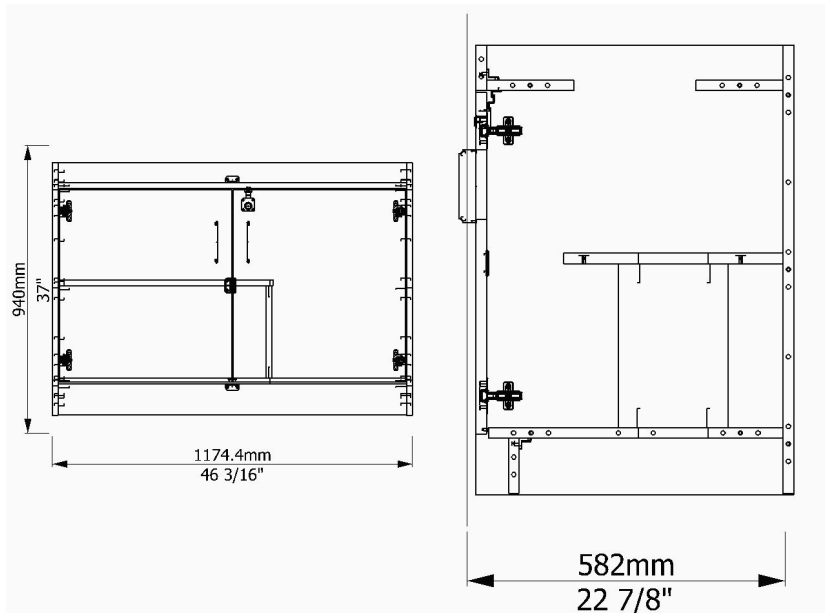
Banding	
Description:	Total Length:
19.2 PVC CBTR 1.0	16
19.2 PVC DDTR 1.0	17
19.2 PVC IOTR 1.0	32

Rev	Comment	DateEntered	EnteredBy
		01/02/2023	scottm

Parts							Board
Description:	Material:	Prog 1:	Prog 2:	Qty:	Width:	Length:	Qty:
Base Left Door	19.2 PB DDEX MEL DDEX MEL	1NR34201		1	563.1	627.1	0.167
Base Right Door	19.2 PB DDEX MEL DDEX MEL	1NR34802		1	563.1	627.1	0.167
Base Left FE	19.2 PB CBEX MEL CBEX MEL	1NR33K01		1	582	825	0.25
Base Right FE	19.2 PB CBEX MEL CBEX MEL	1NR33K02		1	582	825	0.25
Bottom	19.2 PB INTO MEL INTO MEL	1NR33K03		1	540.3	1136	0.25
Fixed Shelf	19.2 PB INTO MEL INTO MEL	1NR33K07		1	402	700	0.111
Horz Rail Back	19.2 PB INTO MEL INTO MEL	1NR33K05		1	159.6	1136	0.056
Horz Rail Front	19.2 PB INTO MEL INTO MEL	1NR33K04		1	159.6	1136	0.056
Thick Back	19.2 PB INTO MEL INTO MEL	1NR33K0B		1	823	1136	0.5
Toe Kick	19.2 PB INTO MEL INTO MEL	1NR33K0C		1	101.6	1136	0.038
Vert Rail Front	19.2 PB INTO MEL INTO MEL	1NR33K0D		1	83.5	1136	0.031
Vertical Lower	19.2 PB INTO MEL INTO MEL	1NR33K08		1	201	300.8	0.02

Hardware				
Item Number:	Description:	Qty:	Length:	
0263-1104000000	Bumper Press-In 8 x 2.5mm Head	2	0	
0263-2367000000	Fstnr Rafix Cam 16mm White n-R	2	0	
0361-0333000000	Hinge Mtg Plate Blum 0mm	4	0	
0361-0343000000	Hinge Blum IS 110 Soft Dowel	4	0	
0861-0036000000	Screw Mach PhTr Zinc 8-32x1.00	4	0	
0861-0042000000	Screw Tapp PhFl Zinc #8 X .68	2	0	
0861-0063000000	Screw Tapp PhTr Zinc #8 X .62	8	0	
0861-0203000000	Screw Conn HxDc Ni 7mmx 50mm	18	0	
0861-0532000000	Screw Tapp PhFl Zinc #7 X .875	4	0	
0964-0451000000	Label Blum Hinge Adjustment	2	0	
0964-0455000000	Label Child Attn Warning	1	0	
0964-2688000000	Label Check For Damaged/Lost	1	0	
0964-3009000000	Label This Side Up S-3513	1	0	
0964-3053000000	Form Registration Card Totmate	1	0	
0964-3057000000	Label Clear TM Logo	2	0	
0964-3113000000	Instr Change Top Care	1	0	
1063-0792043000	Top Change Tbl ABS 4' NoSnk	1	0	
1063-0822043000	TM Tear Off ABS .197x 1x 21	1	0	
1064-0002000000	Paper Roll 18InX 125ft	1	0	
0161-0185000000	Pull Advtg Bntwr 128mm MtNi	2	0	
0261-0489000000	Fstnr Rafix Bolt - 5dia x 8.0	2	0	
0261-1041000001	Lock Core NI SIAM	1	0	
0261-1042000000	Lock Deadbolt NI w/Bezel SIAM for Door	1	0	
0261-2087000000	Strike Lock Plate Zn Angle	1	0	
0263-0269361000	Fstnr Tabor Prl Corner Block	2	0	
0263-0296000000	Catch Plate Door Black	1	0	
0263-0691000000	Fstnr Push In Xmas Tree Clip	2	0	

Packaging					
Item Number:	Description:	Qty:	Width:	Height:	Depth:
0963-3077000000	Pkg Foam Corner 4x2x3 1.5# EPS	8	0	0	0
0964-2828000000	Pkg Cone No Stack	1	0	0	0
0964-3081000000	Pkg Honey Angle 1.5T x 6W x 7L	4	0	0	0
0964-3171473723	Pkg P28K Try/Slv 47x37x23	1	0	0	0



Infant Changing Table

	Date: 1/2/2023 11:15:55AM	Part Number: TM8530A
	DRAWN BY: scottm	
	Rev:	Drawing Number: TM8530A