

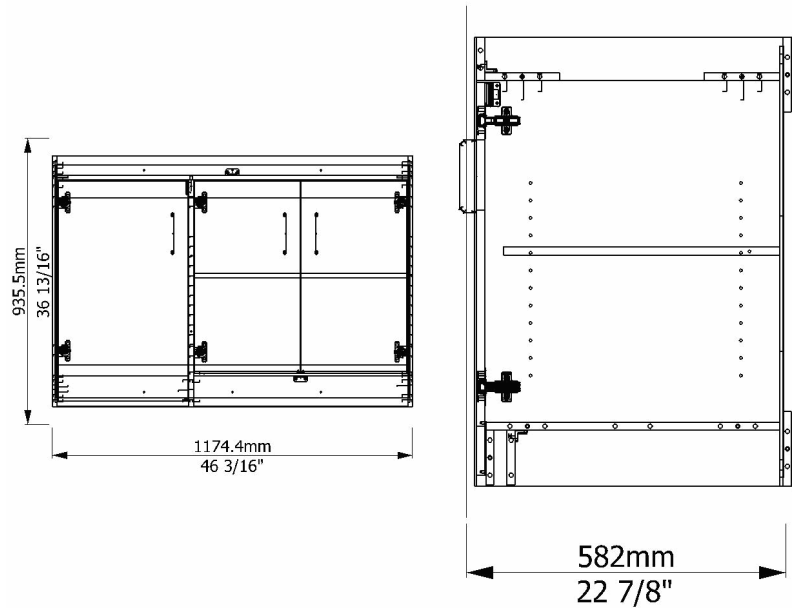
<b>Banding Description:</b>	<b>Total Length:</b>
15 EXP EDF-00 0.1	61

Rev	Comment	DateEntered	EnteredBy
		05/26/2023	scottm

Parts Description:	Material:	Prog 1:	Prog 2:	Qty:	Width:	Length:	Board Qty:
Back	6 MDF 577 MEL 577 MEL	1Z3PW20H		1	760	1153.6	1
Base Left Door	15 PLY 894 VNRA 894 VNR1	1Z3PWK01		1	344.65	628.7	0.125
Base Left Door	15 PLY 894 VNRA 894 VNR1	1Z3PWW01		1	423.9	718.3	0.167
Base Right Door	15 PLY 894 VNRA 894 VNR1	1Z3PWQ02		1	344.65	628.7	0.125
Base Adj Shelf	15 PLY 894 VNRB 894 VNRB	1Z3PX802		1	504	693.1	0.25
Base Left FE	15 PLY 894 VNRB 894 VNRB	1Z3PW201		1	582	820.5	0.5
Base Right FE	15 PLY 894 VNRB 894 VNRB	1Z3PW202		1	582	820.5	0.5
Bottom	15 PLY 894 VNRB 894 VNRB	1Z3PW203		1	536	699.1	0.25
Horz Rail Back	15 PLY 894 VNRB 894 VNRB	1Z3PW205		1	137	1144.4	0.1
Horz Rail Front	15 PLY 894 VNRB 894 VNRB	1Z3PW204		1	137	1144.4	0.1
Rail Support	15 PLY 894 VNRB 894 VNRB	1Z3PW20D		1	100	430.3	0.026
Toe Kick	15 PLY 894 VNRB 894 VNRB	1Z3PW20C		1	100	699.1	0.038
Vert Rail Back Lower	15 PLY 894 VNRB 894 VNRB	1Z3PW20G		1	137	1144.4	0.1
Vert Rail Back Upper	15 PLY 894 VNRB 894 VNRB	1Z3PW20F		1	137	1144.4	0.1
Vert Rail Front	15 PLY 894 VNRB 894 VNRB	1Z3PW20E		1	79	1144.4	0.059
Vertical	15 PLY 894 VNRB 894 VNRB	1Z3PW20A	1Z3PW30A	1	553.1	741	0.25

Hardware Item Number:	Description:	Qty:	Length:
0161-0185000000	Pull Advtg Bntwr 128mm MtNi	3	0
0263-0099000000	Catch Plate Strike Flush Clear	1	0
0263-0269361000	Fstnr Tabor Pri Corner Block	2	0
0263-1104000000	Bumper Press-In 8 x 2.5mm Head	3	0
0263-1267000000	Clip Shlf Clr Twin Pin 3-4-1"	4	0
0361-0333000000	Hinge Mtg Plate Blum 0mm	6	0
0361-0343000000	Hinge Blum IS 110 Soft Dowel	6	0
0861-0042000000	Screw Tapp PhFI Zinc #8 X .68	4	0
0861-0063000000	Screw Tapp PhTr Zinc #8 X .62	12	0
0861-0203000000	Screw Conn HxDc Ni 7mmx 50mm	15	0
0861-0445000000	Screw Tapp PhWh Zinc #8 X 1.25	2	0
0861-0553000000	Screw Mach PhTr Zinc 8-32x .87	6	0
0964-0451000000	Label Blum Hinge Adjustment	1	0
0964-0455000000	Label Child Attn Warning	1	0
0964-2688000000	Label Check For Damaged/Lost	1	0
0964-3009000000	Label This Side Up S-3513	1	0
0964-3053000000	Form Registration Card Totmate	1	0
0964-3113000000	Instr Change Top Care	1	0
1063-0792043000	Top Change Tbl ABS 4' NoSnk	1	0
1064-0002000000	Paper Roll 18InX 125ft	1	0

Packaging Item Number:	Description:	Qty:	Width:	Height:	Depth:
0963-3077000000	Pkg Foam Corner 4x2x3 1.5# EPS	8	0	0	0
0964-2828000000	Pkg Cone No Stack	1	0	0	0
0964-3081000000	Pkg Honey Angle 1.5T x 6W x 7L	4	0	0	0
0964-3171473723	Pkg P28K Try/Slv 47x37x23	1	0	0	0



<b>Infant Change Table PLY</b>		
	Date: 5/26/2023 6:43:43AM	Part Number: <b>TM4530A</b>
	DRAWN BY: scottm	
	Rev:	Drawing Number: <b>TM4530A</b>

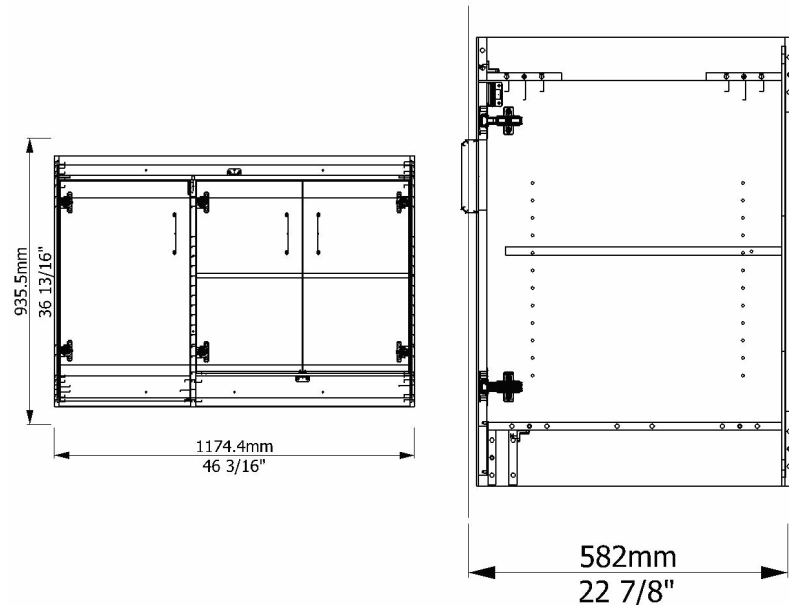
<b>Banding Description:</b>	<b>Total Length:</b>
15 EXP EDF-00 0.1	61


Rev	Comment	DateEntered	EnteredBy
		05/26/2023	scottm

Parts Description:	Material:	Prog 1:	Prog 2:	Qty:	Width:	Length:	Board Qty:
Back	6 MDF 577 MEL 577 MEL	1Z3PW20H		1	760	1153.6	1
Base Left Door	15 PLY 894 VNRA 894 VNR1	1Z3PWK01		1	344.65	628.7	0.125
Base Left Door	15 PLY 894 VNRA 894 VNR1	1Z3PWW01		1	423.9	718.3	0.167
Base Right Door	15 PLY 894 VNRA 894 VNR1	1Z3PWQ02		1	344.65	628.7	0.125
Base Adj Shelf	15 PLY 894 VNRB 894 VNRB	1Z3PX802		1	504	693.1	0.25
Base Left FE	15 PLY 894 VNRB 894 VNRB	1Z3PW201		1	582	820.5	0.5
Base Right FE	15 PLY 894 VNRB 894 VNRB	1Z3PW202		1	582	820.5	0.5
Bottom	15 PLY 894 VNRB 894 VNRB	1Z3PW203		1	536	699.1	0.25
Horz Rail Back	15 PLY 894 VNRB 894 VNRB	1Z3PW205		1	137	1144.4	0.1
Horz Rail Front	15 PLY 894 VNRB 894 VNRB	1Z3PW204		1	137	1144.4	0.1
Rail Support	15 PLY 894 VNRB 894 VNRB	1Z3PW20D		1	100	430.3	0.026
Toe Kick	15 PLY 894 VNRB 894 VNRB	1Z3PW20C		1	100	699.1	0.038
Vert Rail Back Lower	15 PLY 894 VNRB 894 VNRB	1Z3PW20G		1	137	1144.4	0.1
Vert Rail Back Upper	15 PLY 894 VNRB 894 VNRB	1Z3PW20F		1	137	1144.4	0.1
Vert Rail Front	15 PLY 894 VNRB 894 VNRB	1Z3PW20E		1	79	1144.4	0.059
Vertical	15 PLY 894 VNRB 894 VNRB	1Z3PW20A	1Z3PW30A	1	553.1	741	0.25

Hardware Item Number:	Description:	Qty:	Length:
0161-0185000000	Pull Advtg Bntwr 128mm MtNi	3	0
0263-0099000000	Catch Plate Strike Flush Clear	1	0
0263-0269361000	Fstnr Tabor Pri Corner Block	2	0
0263-1104000000	Bumper Press-In 8 x 2.5mm Head	3	0
0263-1267000000	Clip Shlf Clr Twin Pin 3-4-1"	4	0
0361-0333000000	Hinge Mtg Plate Blum 0mm	6	0
0361-0343000000	Hinge Blum IS 110 Soft Dowel	6	0
0861-0042000000	Screw Tapp PhFI Zinc #8 X .68	4	0
0861-0063000000	Screw Tapp PhTr Zinc #8 X .62	12	0
0861-0203000000	Screw Conn HxDc Ni 7mmx 50mm	15	0
0861-0445000000	Screw Tapp PhWh Zinc #8 X 1.25	2	0
0861-0553000000	Screw Mach PhTr Zinc 8-32x .87	6	0
0964-0451000000	Label Blum Hinge Adjustment	1	0
0964-0455000000	Label Child Attn Warning	1	0
0964-2688000000	Label Check For Damaged/Lost	1	0
0964-3009000000	Label This Side Up S-3513	1	0
0964-3053000000	Form Registration Card Totmate	1	0
0964-3113000000	Instr Change Top Care	1	0
1063-0792043000	Top Change Tbl ABS 4' NoSnk	1	0
1064-0002000000	Paper Roll 18InX 125ft	1	0

Packaging Item Number:	Description:	Qty:	Width:	Height:	Depth:
0963-3077000000	Pkg Foam Corner 4x2x3 1.5# EPS	8	0	0	0
0964-2828000000	Pkg Cone No Stack	1	0	0	0
0964-3081000000	Pkg Honey Angle 1.5T x 6W x 7L	4	0	0	0
0964-3171473723	Pkg P28K Try/Slv 47x37x23	1	0	0	0



Changing Table		
	Date: 7/19/2022	Part Number: <b>TM4530A</b>
	DRAWN BY: scottm	
	Rev:	Drawing Number: <b>TM4530A</b>