

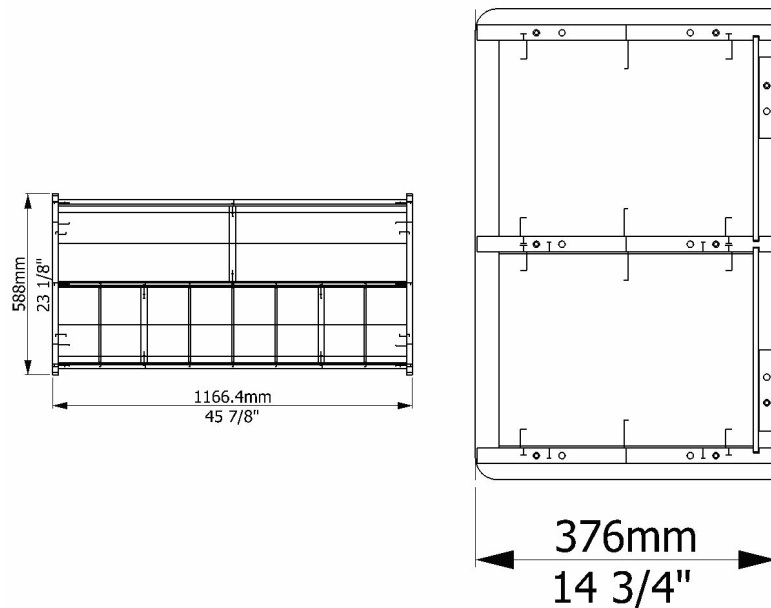
Banding	
Description:	Total Length:
19.2 PVC IOTR 1.0	27
19.2 PVC CBTR 2.0	14

Rev	Comment	DateEntered	EnteredBy
		01/20/2023	scottm

Parts							
Description:	Material:	Prog 1:	Prog 2:	Qty:	Width:	Length:	Board Qty:
Base Back	6 MDF INTO MEL INTO MEL	1NQQCE0C		1	254	1128	0.1
Base Back	6 MDF INTO MEL INTO MEL	1NQQCE0D		1	254	1128	0.1
Base Folio Shelf Vertic	6 MDF INTO MEL INTO MEL	1NQQDE0D		1	318	239.8	0.028
Base Folio Shelf Vertic	6 MDF INTO MEL INTO MEL	1NQQDK0D		3	318	239.8	0.028
Base Folio Shelf Vertic	6 MDF INTO MEL INTO MEL	1NQQDQ0D		1	318	239.8	0.028
Bottom Base	19.2 PB INTO MEL INTO MEL	1NQQCE07		1	372	1128	0.125
Fixed Shelf	19.2 PB INTO MEL INTO MEL	1NQQCE09	1NQQCF09	1	372	1128	0.125
Stringer	19.2 PB INTO MEL INTO MEL	1NQQCE0J		1	101.6	1128	0.038
Stringer	19.2 PB INTO MEL INTO MEL	1NQQCE0K		1	101.6	1128	0.038
Top Base	19.2 PB INTO MEL INTO MEL	1NQQCE08		1	372	1128	0.125
Vertical Divider Boltec	19.2 PB INTO MEL INTO MEL	1NQQCQ01		1	318	244.8	0.028
Vertical Divider Boltec	19.2 PB INTO MEL INTO MEL	1NQQCW01		1	318	244.8	0.028
Vertical Divider Boltec	19.2 PB INTO MEL INTO MEL	1NQQD201		1	318	244.8	0.028
Wall Left FE	19.2 PB CBEX MEL CBEX MEL	1NQQCE03		1	376	588	0.0625
Wall Right FE	19.2 PB CBEX MEL CBEX MEL	1NQQCE04		1	376	588	0.0625

Hardware			
Item Number:	Description:	Qty:	Length:
0263-1696000000	Clip Shelf-Divider 1-4"x224mm	10	0
0861-0203000000	Screw Conn HxDc Ni 7mmx 50mm	21	0
0861-0205000000	Screw Conn HxFI Zinc 7mmx 50mm	1	0
0964-3053000000	Form Registration Card Totmate	1	0
0964-3057000000	Label Clear TM Logo	2	0

Packaging					
Item Number:	Description:	Qty:	Width:	Height:	Depth:
0963-3077000000	Pkg Foam Corner 4x2x3 1.5# EPS	8	0	0	0
0964-3081000000	Pkg Honey Angle 1.5T x 6W x 7L	4	0	0	0
0964-3171462415	Pkg P28K Try/Slv 46x24x15	1	0	0	0



Diaper Wall Storage		
	Date: 1/20/2023 8:55:44AM	Part Number: TM2336A
	DRAWN BY: scottm	
	Rev:	Drawing Number: TM2336A