



Project _____

Item 522ETSG2472 Quantity _____

Approval _____ Date _____

Steelton WT-2472E 24" x 72" 18 Gauge 430 Stainless Steel Work Table with Undershef

Item #522ETSG2472

Special Features

- Made of 18 gauge, type 430 stainless steel
- Galvanized steel legs and undershef
- Ideal for lower volume kitchens and startups
- Undershef is adjustable
- Rolled front edge

Technical Data

Length	72 Inches
Width	24 Inches
Height	34 Inches
Work Surface Height	34 Inches
Backsplash	Without Backsplash
Features	Customizable Height NSF Certified With Undershef
Gauge	18 Gauge
Leg Construction	Galvanized Steel



Certifications



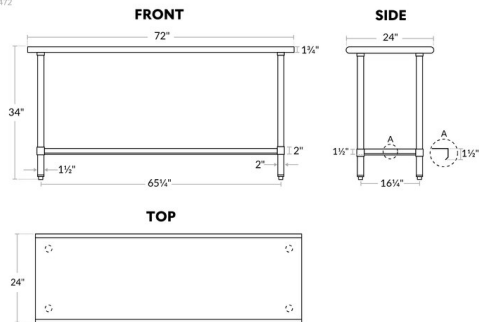
NSF Certified

Technical Data

Number of Legs	4 Legs
Size	24" x 72"
Stainless Steel Type	Type 430
Tabletop Material	Stainless Steel
Top Capacity	705 lb.
Type	Work Tables
Undershelf Capacity	396 lb.
Undershelf Construction	Galvanized Steel
Usage	Light Duty

Technical Drawing

522ET5G2472



⚠ WARNING: This product can expose you to chemicals including lead, which are known to the State of California to cause cancer and birth defects or other reproductive harm. For more information, go to www.p65warnings.ca.gov.