



Project \_\_\_\_\_

Item 522US3014 \_\_\_\_\_ Quantity \_\_\_\_\_

Approval \_\_\_\_\_ Date \_\_\_\_\_

# Steelton 14" x 30" x 11" Utility Sink with 34" Undersshelf for 1 Single-Inlet Faucet

Item #522US3014

## Special Features

- Corrosion-resistant 16-gauge, type 304 stainless steel
- Galvanized steel legs and adjustable bullet feet provide stability
- Deep bowl accommodates large items
- Accepts a deck-mounted single hole faucet (sold separately)
- Ideal for janitorial or commercial kitchen applications

## Technical Data

<b>Length</b>	36 Inches
<b>Width</b>	20 Inches
<b>Height</b>	37 1/2 Inches
<b>Undersshelf Length</b>	34 Inches
<b>Bowl Depth</b>	11 1/2 Inches
<b>Backsplash Height</b>	2 Inches
<b>Backsplash</b>	With Backsplash
<b>Bowl Front to Back</b>	14 Inches
<b>Bowl Left to Right</b>	30 Inches
<b>Faucet Centers</b>	Single



## Certifications

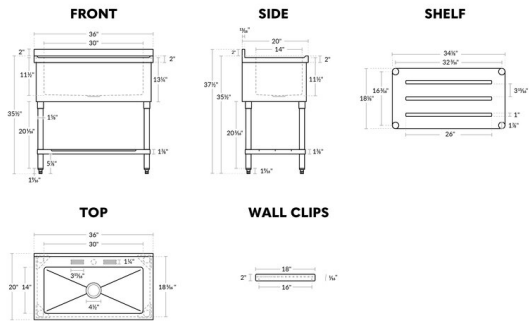


NSF Certified

## Technical Data

<b>Features</b>	NSF Certified Undershef
<b>Gauge</b>	16 Gauge
<b>Installation Type</b>	Freestanding
<b>Leg Construction</b>	Galvanized Steel
<b>Material</b>	Stainless Steel
<b>Number of Compartments</b>	1 Compartment
<b>Number of Drainboards</b>	None
<b>Stainless Steel Type</b>	Type 304
<b>Type</b>	Commercial Sinks

## Technical Drawing



**⚠ WARNING:** This product can expose you to chemicals including lead, which are known to the State of California to cause cancer and birth defects or other reproductive harm. For more information, go to [www.p65warnings.ca.gov](http://www.p65warnings.ca.gov).