



Project _____

Item 522SG3036 _____ Quantity _____

Approval _____ Date _____

Steelton 30" x 36" 18-Gauge Stainless Steel Equipment Stand with Undershelf and Galvanized Legs

Item #522SG3036

Special Features

- 18-gauge stainless steel top shelf and galvanized steel undershelf
- Holds toasters, countertop ovens, and other light equipment
- 2" edging keeps equipment from falling off
- Durable, galvanized steel legs
- Perfect for restaurants, bars, cafes, ice cream shops, and bakeries

Technical Data

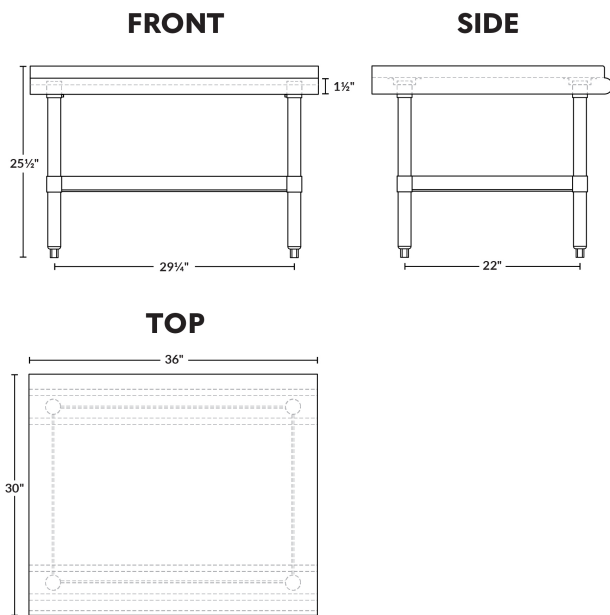
Length	36 Inches
Width	30 Inches
Height	26 Inches
Backsplash Height	2 Inches
Work Surface Height	24 Inches
Backsplash	With Backsplash
Capacity	959 lb.
Features	Customizable Height With Undershelf
Gauge	18 Gauge



Technical Data

Leg Construction	Galvanized Steel
Stainless Steel Type	Type 430
Style	Stationary
Table Style	Undershelf
Top Capacity	595 lb.
Top Material	Stainless Steel
Type	Equipment Stands
Undershelf Capacity	364 lb.
Undershelf Construction	Galvanized Steel
Usage	Light Duty

Technical Drawing



522SG3036

⚠ WARNING: This product can expose you to chemicals including lead, which are known to the State of California to cause cancer and birth defects or other reproductive harm. For more information, go to www.p65warnings.ca.gov.