



Project \_\_\_\_\_

Item 522MS24246 Quantity \_\_\_\_\_

Approval \_\_\_\_\_ Date \_\_\_\_\_

# Steelton 24" x 24" x 6" 18 Gauge 304 Stainless Steel One Compartment Floor Mop Sink

Item #522MS24246

## Special Features

- Boasts a 24" x 24" x 6" bowl
- Durable 18 gauge type 304 stainless steel bowl construction
- Includes 3 1/2" drain basket and wall clip
- Makes disposal of water easy and quick
- Rounded corners facilitate cleaning

## Technical Data

|                           |                 |
|---------------------------|-----------------|
| <b>Length</b>             | 29 Inches       |
| <b>Width</b>              | 29 Inches       |
| <b>Height</b>             | 11 1/2 Inches   |
| <b>Bowl Depth</b>         | 6 Inches        |
| <b>Bowl Front to Back</b> | 24 Inches       |
| <b>Bowl Left to Right</b> | 24 Inches       |
| <b>Features</b>           | NSF Certified   |
| <b>Gauge</b>              | 18 Gauge        |
| <b>Installation Type</b>  | Floor Model     |
| <b>Material</b>           | Stainless Steel |



## Certifications

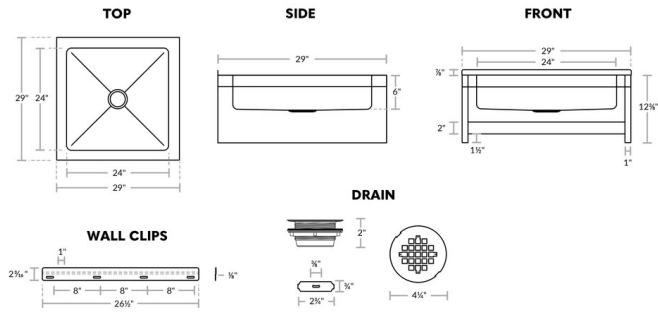


NSF Certified

## Technical Data

|                               |               |
|-------------------------------|---------------|
| <b>Number of Compartments</b> | 1 Compartment |
| <b>Number of Drainboards</b>  | None          |
| <b>Stainless Steel Type</b>   | Type 304      |
| <b>Type</b>                   | Mop Sinks     |

## Technical Drawing



**⚠ WARNING:** This product can expose you to chemicals including lead, which are known to the State of California to cause cancer and birth defects or other reproductive harm. For more information, go to [www.p65warnings.ca.gov](http://www.p65warnings.ca.gov).