



Project _____

Item 522MS162012 Quantity _____

Approval _____ Date _____

Steelton 25" 18 Gauge 304 Stainless Steel One Compartment Floor Mop Sink - 20" x 16" x 12" Bowl

Item #522MS162012

Special Features

- Boasts a 20" x 16" x 12" bowl
- Durable 18 gauge type 304 stainless steel bowl construction
- Includes 3 1/2" drain basket and wall clip
- Makes disposal of water easy and quick
- Rounded corners facilitate cleaning

Technical Data

Length	25 Inches
Width	21 Inches
Height	16 Inches
Bowl Depth	12 Inches
Bowl Front to Back	16 Inches
Bowl Left to Right	20 Inches
Features	NSF Certified
Gauge	18 Gauge
Installation Type	Floor Model
Material	Stainless Steel



Certifications

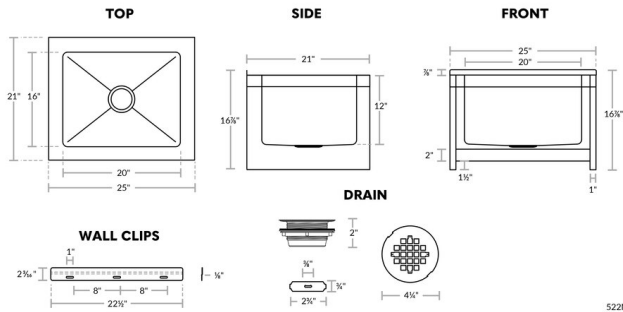


NSF Certified

Technical Data

Number of Compartments	1 Compartment
Number of Drainboards	None
Stainless Steel Type	Type 304
Type	Mop Sinks

Technical Drawing



⚠ WARNING: This product can expose you to chemicals including lead, which are known to the State of California to cause cancer and birth defects or other reproductive harm. For more information, go to www.p65warnings.ca.gov.