



Project \_\_\_\_\_

Item 522ETSG30722 Quantity \_\_\_\_\_

Approval \_\_\_\_\_ Date \_\_\_\_\_

# Steelton 30" x 72" 18 Gauge 430 Stainless Steel Work Table with Undershelf and 2" Rear Uprun

Item #522ETSG30722

## Special Features

- Made of 18 gauge, type 430 stainless steel
- Galvanized steel legs and undershelf
- Ideal for lower volume kitchens and startups
- Undershelf is adjustable
- Rolled front edge with 2" rear upturn

## Technical Data

<b>Length</b>	72 Inches
<b>Width</b>	30 Inches
<b>Height</b>	36 Inches
<b>Backsplash Height</b>	2 Inches
<b>Work Surface Height</b>	34 Inches
<b>Backsplash</b>	With Backsplash
<b>Features</b>	Customizable Height NSF Certified With Undershelf
<b>Gauge</b>	18 Gauge



## Certifications

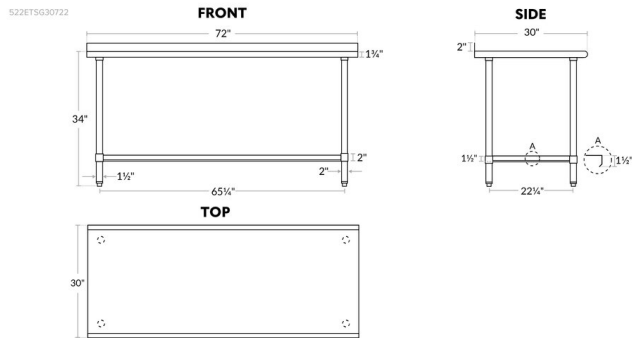


NSF Certified

## Technical Data

<b>Leg Construction</b>	Galvanized Steel
<b>Number of Legs</b>	4 Legs
<b>Size</b>	30" x 72"
<b>Stainless Steel Type</b>	Type 430
<b>Tabletop Material</b>	Stainless Steel
<b>Top Capacity</b>	750 lb.
<b>Type</b>	Work Tables
<b>Undershelf Capacity</b>	396 lb.
<b>Undershelf Construction</b>	Galvanized Steel
<b>Usage</b>	Light Duty

## Technical Drawing



**⚠ WARNING:** This product can expose you to chemicals including lead, which are known to the State of California to cause cancer and birth defects or other reproductive harm. For more information, go to [www.p65warnings.ca.gov](http://www.p65warnings.ca.gov).