



Project _____

Item 522ETSG2460 Quantity _____

Approval _____ Date _____

Steelton 24" x 60" 18 Gauge 430 Stainless Steel Work Table with Undershef

Item #522ETSG2460

Special Features

- Made of 18 gauge, type 430 stainless steel
- Galvanized steel legs and undershef
- Ideal for lower volume kitchens and startups
- Undershef is adjustable
- Rolled front edge

Technical Data

| | |
|----------------------------|--|
| Length | 60 Inches |
| Width | 24 Inches |
| Height | 34 Inches |
| Work Surface Height | 34 Inches |
| Backsplash | Without Backsplash |
| Features | Customizable Height NSF Certified With Undershef |
| Gauge | 18 Gauge |
| Leg Construction | Galvanized Steel |



Certifications



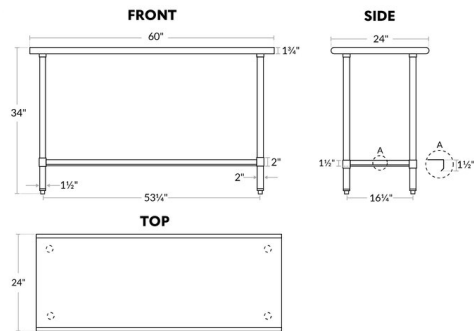
NSF Certified

Technical Data

| | |
|--------------------------------|------------------|
| Number of Legs | 4 Legs |
| Size | 24" x 60" |
| Stainless Steel Type | Type 430 |
| Tabletop Material | Stainless Steel |
| Top Capacity | 650 lb. |
| Type | Work Tables |
| Undershelf Capacity | 396 lb. |
| Undershelf Construction | Galvanized Steel |
| Usage | Light Duty |

Technical Drawing

522ETS02460



⚠ WARNING: This product can expose you to chemicals including lead, which are known to the State of California to cause cancer and birth defects or other reproductive harm. For more information, go to www.p65warnings.ca.gov.