



Project _____

Item 522ETSG24602 Quantity _____

Approval _____ Date _____

Steelton 24" x 60" 18 Gauge 430 Stainless Steel Work Table with Undershef and 2" Rear Upturn

Item #522ETSG24602

Special Features

- Made of 18 gauge, type 430 stainless steel
- Galvanized steel legs and undershef
- Ideal for lower volume kitchens and startups
- Undershef is adjustable
- Rolled front edge with 2" rear upturn

Technical Data

| | |
|----------------------------|--|
| Length | 60 Inches |
| Width | 24 Inches |
| Height | 36 Inches |
| Backsplash Height | 2 Inches |
| Work Surface Height | 34 Inches |
| Backsplash | With Backsplash |
| Features | Customizable Height NSF Certified With Undershef |
| Gauge | 18 Gauge |



Certifications



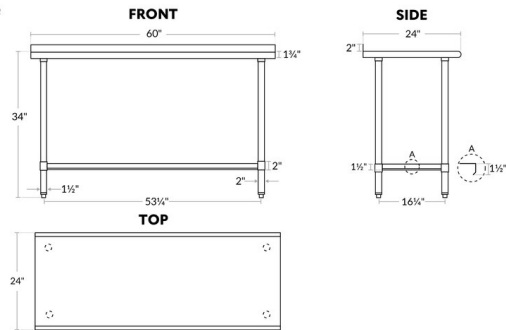
NSF Certified

Technical Data

| | |
|--------------------------------|------------------|
| Leg Construction | Galvanized Steel |
| Number of Legs | 4 Legs |
| Size | 24" x 60" |
| Stainless Steel Type | Type 430 |
| Tabletop Material | Stainless Steel |
| Top Capacity | 650 lb. |
| Type | Work Tables |
| Undershelf Capacity | 396 lb. |
| Undershelf Construction | Galvanized Steel |
| Usage | Light Duty |

Technical Drawing

522ETS624602



⚠ WARNING: This product can expose you to chemicals including lead, which are known to the State of California to cause cancer and birth defects or other reproductive harm. For more information, go to www.p65warnings.ca.gov.