



Project \_\_\_\_\_

Item 522ETOB3060 Quantity \_\_\_\_\_

Approval \_\_\_\_\_ Date \_\_\_\_\_

# Steelton 30" x 60" 18-Gauge 430 Stainless Steel Open Base Work Table

Item #522ETOB3060

## Special Features

- 18-gauge, type 430 stainless steel top
- Corrosion-resistant, galvanized steel legs
- Stainless steel cross bracing for added support
- Rolled front edge
- Designed for lower volume kitchens and startups

## Technical Data

<b>Length</b>	60 Inches
<b>Width</b>	30 Inches
<b>Height</b>	34 Inches
<b>Backsplash</b>	Without Backsplash
<b>Configuration</b>	Straight
<b>Features</b>	NSF Certified
<b>Gauge</b>	18 Gauge
<b>Leg Construction</b>	Galvanized Steel
<b>Number of Legs</b>	4 Legs
<b>Stainless Steel Type</b>	Type 430



## Certifications

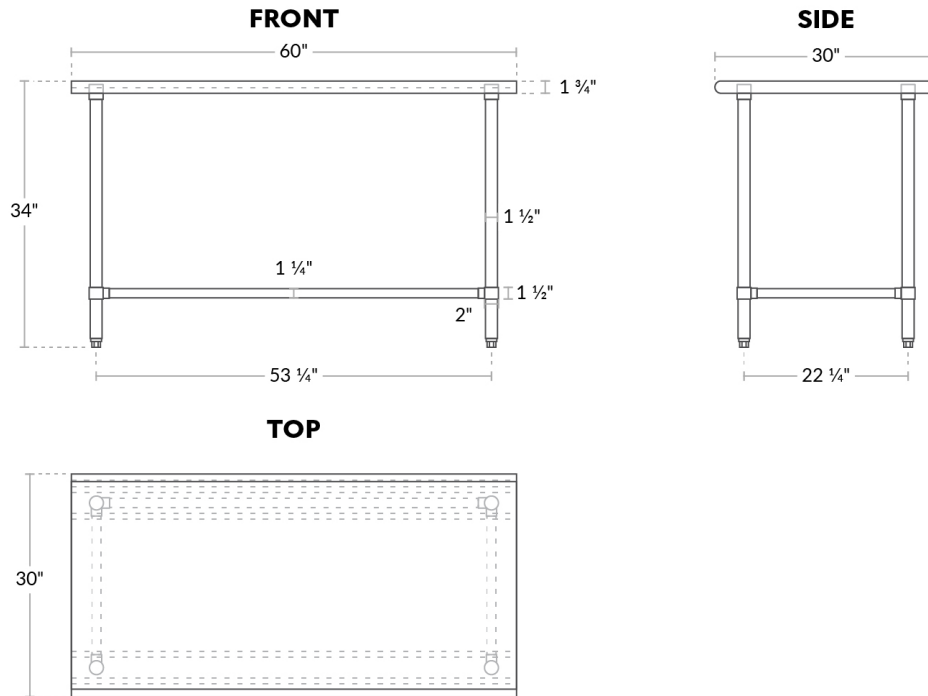


NSF Certified

## Technical Data

<b>Table Style</b>	Open Base
<b>Tabletop Material</b>	Stainless Steel
<b>Top Capacity</b>	679 lb.
<b>Usage</b>	Light Duty

## Technical Drawing



**⚠ WARNING:** This product can expose you to chemicals including lead, which are known to the State of California to cause cancer and birth defects or other reproductive harm. For more information, go to [www.p65warnings.ca.gov](http://www.p65warnings.ca.gov).