



Project _____

Item 522EBTKD3072D Quantity _____

Approval _____ Date _____

Steelton 30" x 72" 16 Gauge Type 430 Stainless Steel Enclosed Base Sliding Door Table

Item #522EBTKD3072D

Special Features

- Durable 16 gauge type 430 stainless top with an 18 gauge type 430 stainless steel cabinet body
- Ships knocked down, saving on shipping costs
- 2 sliding doors with recessed handles fully conceal the cabinet base's contents
- Stainless steel legs, sockets, and bullet feet
- Large 30" x 72" worktop

Technical Data

Length	72 Inches
Width	30 Inches
Height	34 Inches
Backsplash Height	Without Backsplash
Work Surface Height	34 Inches
Backsplash	Without Backsplash
Color	Silver
Door Style	Sliding
Features	NSF Certified With Undershelf



Certifications

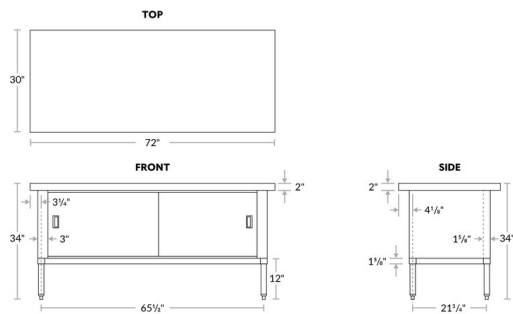


NSF Certified

Technical Data

Gauge	16 Gauge
Leg Construction	Stainless Steel
Material	Stainless Steel
Number of Doors	2 Doors
Number of Legs	4 Legs
Stainless Steel Type	Type 430
Table Style	Enclosed Base
Tabletop Material	Stainless Steel
Top Capacity	870 lb.
Type	Work Tables

Technical Drawing



⚠ WARNING: This product can expose you to chemicals including lead, which are known to the State of California to cause cancer and birth defects or other reproductive harm. For more information, go to www.p65warnings.ca.gov.