



Project \_\_\_\_\_

Item 522EBTBKD3060D Quantity \_\_\_\_\_

Approval \_\_\_\_\_ Date \_\_\_\_\_

# Steelton 30" x 60" 16 Gauge Type 430 Stainless Steel Enclosed Base Sliding Door Table with 4" Backsplash

Item #522EBTBKD3060D

## Special Features

- Durable 16 gauge type 430 stainless top with an 18 gauge type 430 stainless steel cabinet body
- Ships knocked down, saving on shipping costs
- 4" backsplash prevents messes from getting on the wall behind the unit
- 2 sliding doors with recessed handles fully conceal the cabinet base's contents
- Stainless steel legs, sockets, and bullet feet

## Technical Data

<b>Length</b>	60 Inches
<b>Width</b>	30 Inches
<b>Height</b>	38 Inches
<b>Backsplash Height</b>	4 Inches
<b>Work Surface Height</b>	34 Inches
<b>Backsplash</b>	With Backsplash
<b>Color</b>	Silver
<b>Door Style</b>	Sliding
<b>Features</b>	NSF Certified With Undershelf



## Certifications

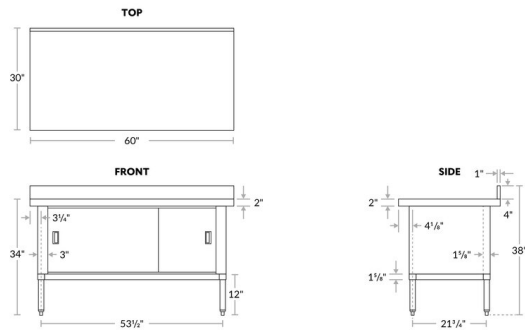


NSF Certified

## Technical Data

<b>Gauge</b>	16 Gauge
<b>Leg Construction</b>	Stainless Steel
<b>Material</b>	Stainless Steel
<b>Number of Doors</b>	2 Doors
<b>Number of Legs</b>	4 Legs
<b>Stainless Steel Type</b>	Type 430
<b>Table Style</b>	Enclosed Base
<b>Tabletop Material</b>	Stainless Steel
<b>Top Capacity</b>	800 lb.
<b>Type</b>	Work Tables

## Technical Drawing



**⚠ WARNING:** This product can expose you to chemicals including lead, which are known to the State of California to cause cancer and birth defects or other reproductive harm. For more information, go to [www.p65warnings.ca.gov](http://www.p65warnings.ca.gov).