

CODE NUMBER

3873117

DESCRIPTION

Enamelled Cast Iron Wall-Mounted Backsplash Lavatory.

DETAILS

- Centerset: Single
- Nominal Dimensions: 18 ¼" × 12" × 20 ¼" (464 × 305 × 514mm)

FEATURES

- White Enamelled Cast Iron
- Wall mounted with 4" backsplash
- Front overflow
- Single hole
- Carrier mounting lugs
- Mounting hardware included

DOWNLOADS

- [SS-3017 / SS-3117 Installation Instructions](#)
- [Additional Downloads](#)

ROUGH-IN



COMPLIANCES & CERTIFICATIONS

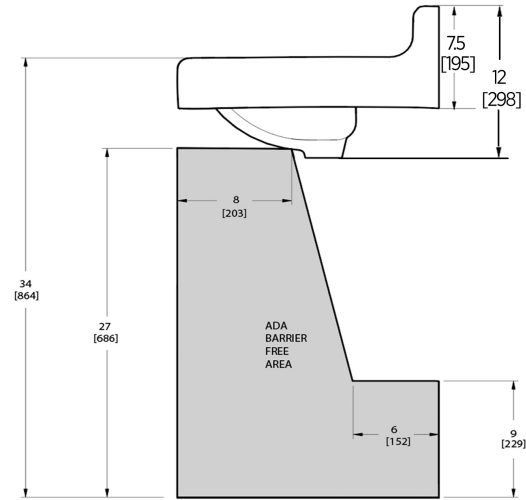
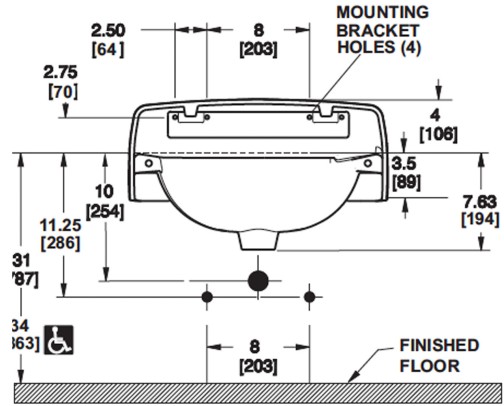
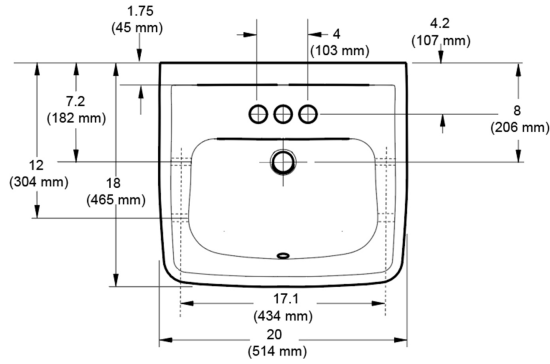


(ADA Compliant, cUPC Certified, EPD, HPD)

NOTES

All information contained within this document subject to change without notice.

All vitreous china dimensions shown in these drawings are nominal and not to scale. Dimensions can vary within the tolerances established in the governing ASME A112.19.1-2008. It is important to consider this when planning rough-in and plumbing layouts.



Sloan 10500 Seymour Ave, Franklin Park, IL 60131
 Phone: 800.982.5839 • Fax: 800.447.8329 • sloan.com