



Servit Three Pan Open Well Electric Steam Table with Adjustable Undershef - 120V, 1500W

#423EST3WO

FEATURES

- Durable 20-gauge type 304 stainless steel wells
- 6" deep wells hold 3 full size food pans; accommodates various pan configurations for versatility
- Removable ½" thick, 8" deep board provides plenty of extra work space
- Convenient adjustable undershef provides additional space to store utensils, pans, or lids
- Recessed independent infinite control knobs for each well; 120V, 1500W

TECHNICAL DATA

Width	43 3/8 Inches
Depth	30 3/16 Inches
Height	34 Inches
Power Cord Length	7 1/4 Feet
Compatible Pan Depth	6 Inches
Amps	12.5 Amps
Hertz	60 Hz
Voltage	120 Volts
Wattage	1500 Watts
Assembly Options	Assembly Required



CERTIFICATIONS



ETL Sanitation



ETL, US & Canada

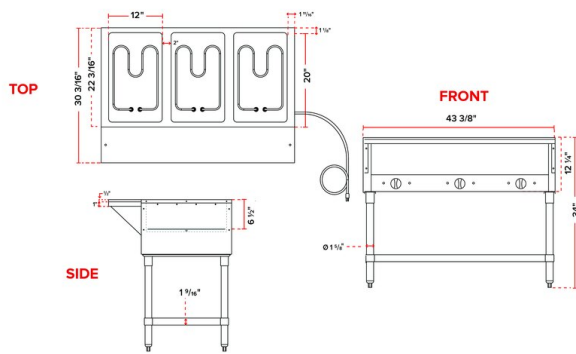


5-15P

TECHNICAL DATA

Base Style	Undershelf
Color	Silver
Control Type	Infinite
Features	Cutting Board
Material	Stainless Steel
Number of Wells	3
Plug Type	NEMA 5-15P
Power Type	Electric
Style	Floor Model Heated
Type	Stationary
Usage	Indoor
Well Type	Open / Dry Well

Plan View



Notes & Details

Keep all of your menu items piping hot and readily available with the ServIt three pan open well electric steam table with an adjustable undershelf! This powerful holding unit can hold three full size food pans (sold separately) full of pasta, meat, or side dishes in each 500W well. The body of this unit is constructed of durable 22-gauge type 430 stainless steel and heavy-duty hardware. The top and wells are made of 20-gauge type 304 stainless steel, while the cutting board support shelves are made of 16-gauge type 430 stainless steel. Plus, it stands on four sturdy legs to provide excellent stability.

Use the adjustable undershelf to store extra serving utensils, food pans, or lids to keep all the tools you need close at hand. For extra convenience, the 1/2" thick polyethylene cutting board is 8" deep and gives you an extra workspace for changing out food pans or filling plates. For optimal heating versatility, each individual well is independently controlled by an infinite control knob with detailed lighting showing whether the unit is powered on and if the well is ready to use. Although intended for dry use, this steam table can be used wet with a compatible spillage pan (sold separately). A 120V electrical connection is required for the 7 1/4' power cord.

⚠ WARNING: This product can expose you to chemicals including lead, which are known to the State of California to cause cancer and birth defects or other reproductive harm. For more information, go to www.p65warnings.ca.gov.