

Wall Mount Stainless Steel Sink

Model
7070

Product Specifications

Built to last using 16-gauge, type 304 stainless steel. Exposed surfaces have a satin finish.

Outside Dimensions	20" x 17-1/2" x 16-1/2" High
Inside Bowl Size	17" x 14" x 7" Deep
Back Splash Height	9-1/2"
Side Splash Height	9-1/2"
Faucet Mounting Hole	7/8" Dia.
Drain Opening	2"
Finish	Satin
Strainer	1-1/2" Dia. Duo Basket Strainer
Wall Mounting Bracket	1/4" Dia. Mounting Holes



Includes

- (1) Wall mount sink
- (1) Wall-mounting bracket
- (2) Support brackets
- (1) Strainer assembly with basket

Product Compliance

NSF/ANSI 2 Food Equipment



Part: _____ Quantity: _____

Project: _____

Contact: _____

Date: _____

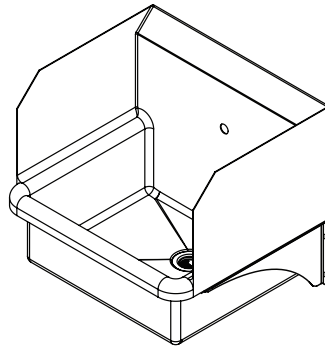
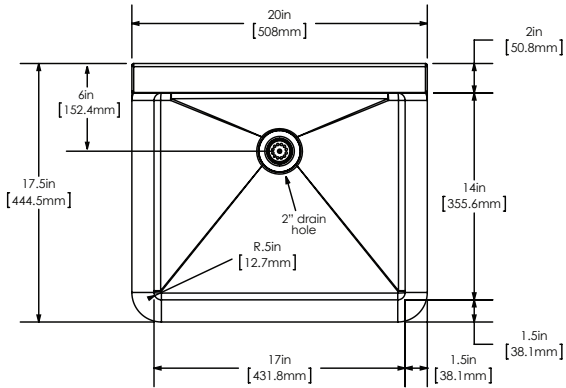
Approval: _____

Notes:

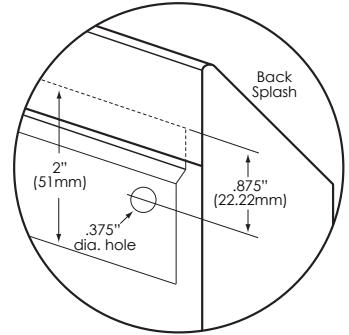


**Wall Mount Stainless Steel Sink
Model 7070**

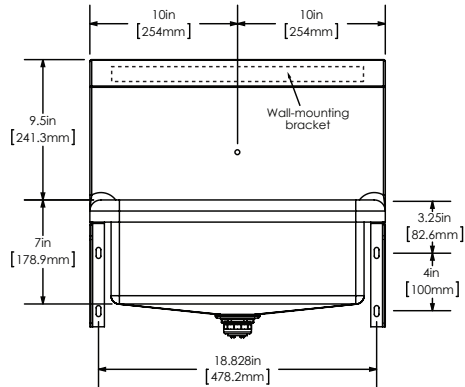
■ **Top**



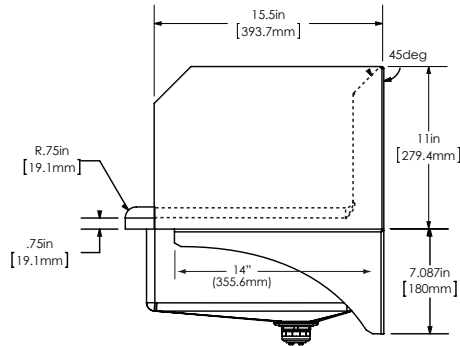
■ **Wall Mounting Detail**



■ **Front**



■ **Side**



■ **Hole Configuration**

