



Regency 124" Three Compartment Commercial Sink with Stainless Steel Legs, Cross Bracing, and Two 30" Drainboards

#6CS3203030X



Technical Data

Length	124 Inches
Width	35 1/2 Inches
Height	43 3/4 Inches
Drainboard Length	30 Inches
Bowl Depth	14 Inches
Backsplash Height	9 3/4 Inches
Work Surface Height	34 Inches
Basket Drain Size	3 1/2 Inches
Bowl Front to Back	30 Inches
Bowl Left to Right	20 Inches

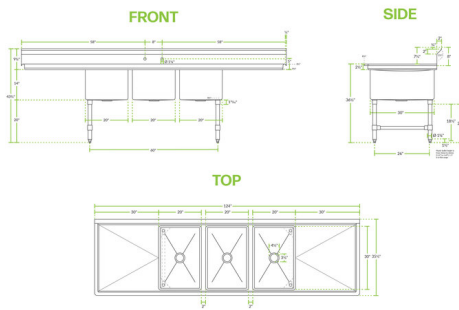
Features

- Constructed of corrosion-resistant, 16 gauge, type 304 stainless steel
- Three 20" x 30" x 14" sink bowls with two 30" drainboards and rounded corners for easy cleaning
- 1 5/8" diameter stainless steel legs with cross bracing, sockets, and bullet feet
- Three 3 1/2" drain basket strainers and 1 1/2" IPS drain connection
- Backsplash and rolled edges prevent splashes and overflow

Technical Data

Drainboard Location	Left Drainboard Right Drainboard
Faucet Centers	8 Inches
Gauge	16 Gauge
Included	Basket Strainer
Leg Construction	Stainless Steel
Material	Stainless Steel
Number of Compartments	3 Compartments
Number of Drainboards	2 Drainboards
Stainless Steel Type	Type 304
Style	2 Drainboards
Type	Straight / Line Sinks

Plan View



#K52000000

Notes & Details

Outfit your facility with a long-lasting sink that will meet your needs with this Regency three compartment sink. This durable sink is made with high-quality, welded 16 gauge, type 304 stainless steel for durability, corrosion resistance, and long-lasting use. This sink features a 34" work surface height and two sturdy 30" drainboards, allowing you to easily wash and dry dishes and utensils in one convenient location. It's also dipped a minimum of 1/4" to facilitate better drainage. This item's 1 5/8" diameter stainless steel legs with stainless steel cross bracing, sockets, and bullet feet provide added stability.

This sink features three 20" x 30" x 14" sink bowls that each include one 3 1/2" drain basket strainer to catch food debris, which prevents the drain from clogging, and a 1 1/2" IPS drain connection. For easy cleaning, the compartments have rounded corners so you can rinse and wipe down the sink. This sink also includes a 1 1/2" raised, rolled edge that raises to 2" on the front and both sides, as well as a 9 3/4" tall backsplash to contain splashes and overflow. The sink is designed with two 1 1/8" diameter holes punched on 8" centers to accommodate a faucet (sold separately). Designed for medium-duty use, this Regency sink is ideal for most restaurants.

WARNING: This product can expose you to chemicals including lead, which are known to the State of California to cause cancer and birth defects or other reproductive harm. For more information, go to www.p65warnings.ca.gov.