



## Regency 102 1/2" Three Compartment Commercial Sink with Stainless Steel Legs, Cross Bracing, and 24" Left Drainboard

#60S3242424LX



### Technical Data

Length	102 1/2 Inches
Width	29 1/2 Inches
Height	43 3/4 Inches
Drainboard Length	24 Inches
Bowl Depth	14 Inches
Backsplash Height	7 1/4 Inches
Work Surface Height	36 1/2 Inches
Basket Drain Size	3 1/2 Inches
Bowl Front to Back	24 Inches
Bowl Left to Right	24 Inches

### Features

- Constructed of corrosion-resistant, 16 gauge, type 304 stainless steel
- Three 24" x 24" x 14" sink bowls with a 24" drainboard and rounded corners for easy cleaning
- Stainless steel legs, bullet feet, sockets, and cross bracing for maximum strength and longevity
- Includes 1 1/2" IPS drain connection and 3 1/2" basket strainers
- Backsplash and rolled edges prevent splashes and overflow

### Certifications

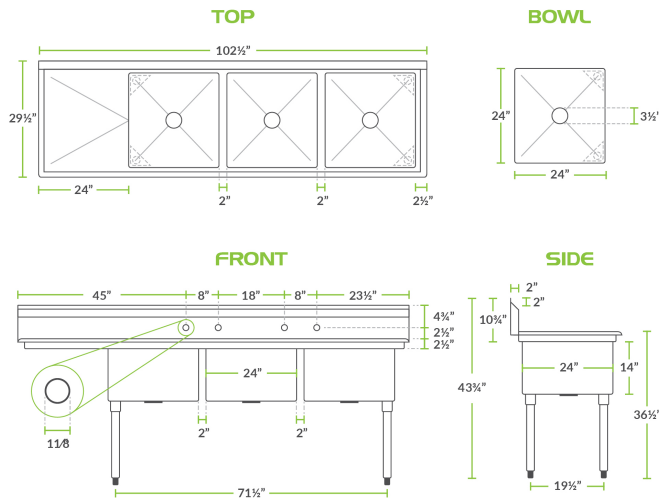


NSF Certified

## Technical Data

Drain Outlet Size	1 1/2 Inches
Faucet Centers	8 Inches
Features	NSF Certified
Gauge	16 Gauge
Leg Construction	Stainless Steel
Material	Stainless Steel
Number of Compartments	3 Compartments
Number of Drainboards	1 Drainboard
Stainless Steel Type	Type 304
Style	1 Drainboard
Type	Straight / Line Sinks

## Plan View




## Notes & Details

Ideal for setting up a washing, rinsing, and sanitizing station, this Regency three compartment sink is a great addition to your busy commercial kitchen. It's constructed from high-quality, 16 gauge, type 304 stainless steel, making it more corrosion-resistant and durable than other sinks made from thinner, 18 gauge material. This sink features a sturdy 24" drainboard so you can easily wash and dry dishes and utensils in one convenient location. It's also dipped a minimum of 1/4" to facilitate better drainage. Welded construction contributes to the long-lasting use and overall strength of this sink / drainboard combo.

The 24" x 24" x 14" sink bowls are die-stamped to a minimum of 1/4" to ensure proper drainage. Plus, it includes 3 1/2" basket strainers to catch food debris, which prevents the drain from clogging. For easy cleaning, the compartment has rounded corners so you can rinse and wipe down the sink.

A 10" tall backsplash is included and comes complete with four 1 1/8" diameter holes punched on 8" centers to accommodate two faucets (sold separately). This sink also includes a 1 1/2" raised rolled edge, which is 2" tall on the front and both sides to contain splashes and overflow. The stainless steel legs are constructed of 1 5/8" diameter with stainless steel cross bracing and adjustable plastic feet for added stability. These features serve to prolong the life of your sink while adding exceptional strength to the unit. Designed for medium-duty use, this Regency sink is ideal for most restaurants.

 **WARNING:** This product can expose you to chemicals including lead, which are known to the State of California to cause cancer and birth defects or other reproductive harm. For more information, go to [www.p65warnings.ca.gov](http://www.p65warnings.ca.gov).