



Regency 49 1/2" One Compartment Commercial Sink with Galvanized Steel Legs and 24" Right Drainboard

#60S1232324GR



Technical Data

Length	49 1/2 Inches
Width	28 1/2 Inches
Height	43 3/4 Inches
Drainboard Length	24 Inches
Bowl Depth	12 Inches
Work Surface Height	34 3/4 Inches
Basket Drain Size	3 1/2 Inches
Bowl Front to Back	23 Inches
Bowl Left to Right	23 Inches
Faucet Centers	8 Inches

Features

- Corrosion-resistant, durable 16 gauge, type 304 stainless steel construction
- Designed with a 23" x 23" x 12" sink bowl and rounded corners for easy cleaning
- Galvanized steel legs and adjustable plastic bullet feet provide stability
- 24" drainboard and a 3 1/2" drain basket
- Backsplash and rolled edges prevent splashes and overflow

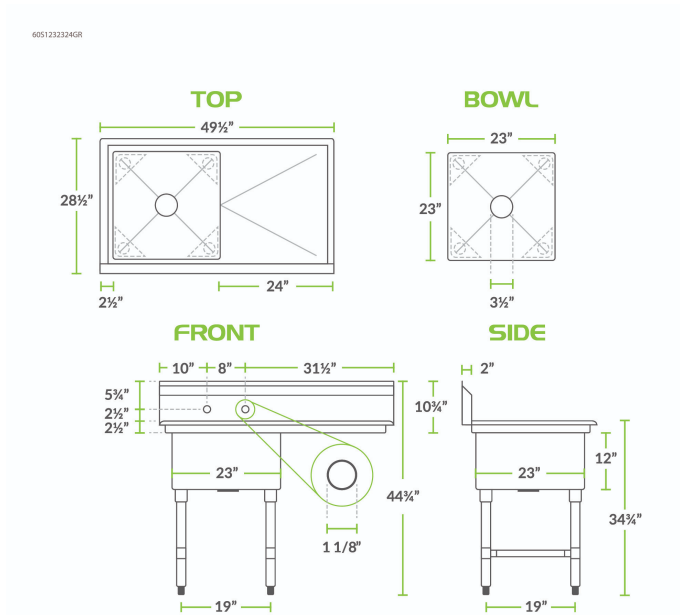
Certifications



Technical Data

Features	NSF Certified
Gauge	16 Gauge
Leg Construction	Galvanized Steel
Material	Stainless Steel
Number of Compartments	1 Compartment
Number of Drainboards	1 Drainboard
Stainless Steel Type	Type 304
Style	1 Drainboard
Type	Straight / Line Sinks

Plan View



Notes & Details

Wash, prep, or clean with ease when you use this Regency one compartment commercial sink. Made of high-quality 16 gauge, type 304 stainless steel for reliable service, this gauge is thicker and much more durable than many similar sinks available. Additionally, type 304 stainless steel is exceptionally corrosion-resistant and easy to clean! This sink features a sturdy 24" drainboard so you can easily wash and dry dishes and utensils in one convenient location.

The 23" x 23" x 12" compartment offers rounded corners and ample space to either wash, rinse, or sanitize your items as needed. In addition, the drain includes a 3 1/2" basket strainer to eliminate the possibility of clogging. By regularly maintaining your drainage system, you will cut down on possible service and replacement costs.

Thanks to the high backsplash, water splashes will be confined inside the sink and then directly drip down into the drain. This added feature helps maintain the integrity of your wall and floor to keep your establishment in its best condition. Plus, this sink has two holes pre-punched on 8" centers to accept the faucet of your choice (sold separately). This model has galvanized steel legs and plastic bullet feet to keep the sink level and stable. Designed for medium-duty use, this Regency sink is ideal for most restaurants.

WARNING: This product can expose you to chemicals including lead, which are known to the State of California to cause cancer and birth defects or other reproductive harm. For more information, go to www.p65warnings.ca.gov.