

REGENCY
Tables and Sinks

Regency 38 1/2" One Compartment Commercial Sink with Galvanized Steel Legs, 18" Right Drainboard, and 18" x 18" x 14" Sink Bowl

#60S1181818GR



Technical Data

Length	38 1/2 Inches
Width	23 1/2 Inches
Height	44 3/4 Inches
Bowl Depth	14 Inches
Backsplash Height	9 3/4 Inches
Work Surface Height	34 3/4 Inches
Basket Drain Size	3 1/2 Inches
Bowl Front to Back	18 Inches
Bowl Left to Right	18 Inches
Faucet Centers	8 Inches

Features

- Corrosion-resistant, durable 16 gauge, type 304 stainless steel construction
- Designed with an 18" x 18" x 14" sink bowl with rounded corners for easy cleaning
- Galvanized steel legs and adjustable plastic bullet feet provide stability
- 18" drainboard and a 3 1/2" drain basket
- Backsplash and rolled edges prevent splashes and overflow

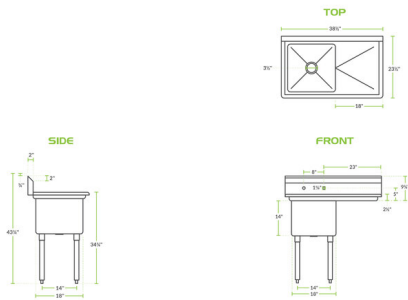
Certifications



Technical Data

Features	NSF Certified
Gauge	16 Gauge
Leg Construction	Galvanized Steel
Material	Stainless Steel
Number of Compartments	1 Compartment
Number of Drainboards	1 Drainboard
Stainless Steel Type	Type 304
Style	1 Drainboard

Plan View



Notes & Details

Ideal for washing pots or prepping food, this Regency one compartment commercial sink is a great addition to your busy commercial kitchen. It's made from high-quality, 16 gauge, type 304 stainless steel, making it more corrosion-resistant and durable than other sinks made from thinner, 18 gauge material. This sink also features an 18" drainboard so you can easily wash and dry dishes and utensils in one convenient location. It's dipped a minimum of 1/4" to facilitate better drainage, and the welded construction contributes to the long-lasting use and overall strength of this sink / drainboard combo.

The 18" x 18" x 14" sink bowl is die-stamped to a minimum of 1/4" to ensure proper drainage. Plus, it includes a 3 1/2" basket strainer to catch food debris, which prevents the drain from clogging. For easy cleaning, the compartment has rounded corners so you can rinse and wipe down the sink.

A 9 3/4" tall backsplash is included with two 1 1/8" diameter holes punched on 8" centers for a faucet (sold separately). This sink also comes complete with a 1 1/2" raised rolled edge, which is 2" tall on the front and both sides to contain splashes and overflow. The legs are made from 1 5/8" diameter galvanized steel, with plastic bullet feet that adjust to keep your sink level on installation. Designed for medium-duty use, this Regency sink is ideal for most restaurants.