



Regency 50" 16-Gauge Stainless Steel Soiled / Dirty Undercounter Dishtable - Sink on Right

#600UDT50R



Technical Data

Length	50 Inches
Width	30 Inches
Height	42 3/4 Inches
Bowl Depth	6 Inches
Backsplash Height	8 Inches
Work Surface Height	34 Inches
Backsplash	With Backsplash
Bowl Front to Back	20 1/4 Inches
Bowl Left to Right	20 1/4 Inches
Faucet Centers	8 Inches

Features

- 16-gauge type 304 stainless steel bowl and shelf
- Stainless steel legs with stainless steel adjustable bullet feet
- Drain assembly included with 3 1/2" basket strainer
- 6" deep pre-rinse bowl and 2" raised lip to limit splashes and overflow
- 8" backsplash protects walls

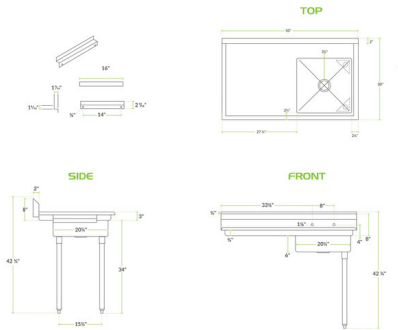
Certifications



Technical Data

Features	Massachusetts Accepted Plumbing Product NSF Certified With Sink
Gauge	16 Gauge
Installation Type	Right Side
Leg Construction	Stainless Steel
Material	Stainless Steel
Number of Compartments	1 Compartment
Stainless Steel Type	Type 304
Style	Straight
Type	Dirty / Soiled Dishtables Undercounter Dishtables

Plan View



Notes & Details

This Regency 50" long soiled / dirty undercounter dishtable is constructed of durable 16-gauge type 304 stainless steel that ensures a long service life and excellent corrosion resistance. It features an 8" backsplash with a 2" return to help protect your walls, and a 2" raised lip on the table to limit overflow and keep your floors dry. The table's 27 1/2" side shelf provides plenty of room to pile up your dirty dishes before rinsing them and sending them on to a dishwasher or three compartment sink for a thorough cleaning.

This undercounter dishtable has 1 5/8" diameter stainless steel legs with stainless steel sockets to provide superior stability. Its die stamped, 6" deep pre-rinse bowl directs water down into the drain assembly for efficient operation and easy use, while the included 3 1/2" basket strainer catches any larger particles that you don't want clogging up your pipes. Holes punched on 8" centers allow for easy installation of the pre-rinse faucet. Stainless steel adjustable bullet feet allow you to level your dishtable on uneven surfaces.

⚠ WARNING: This product can expose you to chemicals including lead, which are known to the State of California to cause cancer and birth defects or other reproductive harm. For more information, go to www.p65warnings.ca.gov.