



## Regency 36" x 48" 16 Gauge Stainless Steel Commercial Work Table with 4" Backsplash and Undershef

#600TSB3648S



### Technical Data

Length	48 Inches
Width	36 Inches
Height	38 Inches
Backsplash Height	4 Inches
Work Surface Height	34 Inches
Backsplash	With Backsplash
Base Style	Undershef
Features	Customizable Height NSF Certified With Undershef

### Features

- 24 gauge type 304 stainless steel top offers greater corrosion-resistance than type 430
- 4" backsplash to protect posterior wall
- Stainless steel undershef
- Stainless steel legs and hat channels for unparalleled stability; adjustable bullet feet
- Combines unbeatable strength and long-lasting durability

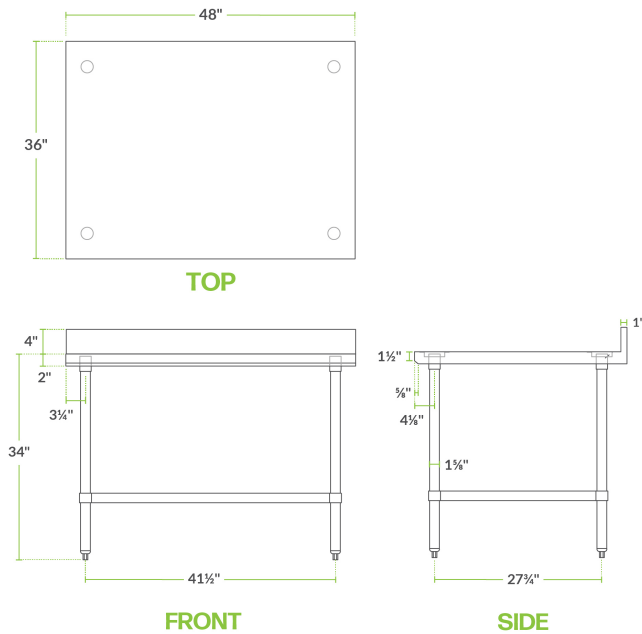
### Certifications



## Technical Data

Gauge	16 Gauge
Leg Construction	Stainless Steel
Number of Legs	4 Legs
Size	36" x 48"
Stainless Steel Type	Type 304
Table Style	Undershelf
Tabletop Material	Stainless Steel
Top Capacity	630 lb.
Type	Work Tables
Undershelf Capacity	400 lb.
Undershelf Construction	Stainless Steel
Usage	Standard Duty

## Plan View



## Notes & Details

With the strength and reliability you've come to expect from Regency series work tables, this 36" x 48" 16 gauge stainless steel table is the solution you've been looking for to complete your commercial kitchen prep area! Ideal for busy kitchens, this work table is easy to maintain thanks to its durable, corrosion resistant material. And, with a smooth, type 304 stainless steel top, the table can be quickly wiped down at the end of a busy shift. A 4" tall backplash keeps your walls clean and prevents kitchen tools and ingredients from rolling off of the back.

For unparalleled stability, this work table features stainless steel legs and hat channels, as well as stainless steel bullet feet with aluminum die cast leg sockets that allow you to place the table on uneven floors and still remain steady. A stainless steel undershelf provides a convenient place to store scales, cutting boards, food storage boxes, and other small appliances within easy reach. This work table from Regency is a must-have item for any commercial establishment.

**WARNING:** This product can expose you to chemicals including Lead and Nickel, which are known to the State of California to cause cancer and birth defects or other reproductive harm. For more information, go to [www.p65warnings.ca.gov](http://www.p65warnings.ca.gov).