

**REGENCY**  
Tables and Sinks

## Regency 39" Three Compartment Commercial Sink with Galvanized Steel Legs

#600S31014G



### Technical Data

Length	39 Inches
Width	19 1/2 Inches
Height	43 3/4 Inches
Bowl Depth	12 Inches
Work Surface Height	36 1/2 Inches
Basket Drain Size	3 1/2 Inches
Bowl Front to Back	14 Inches
Bowl Left to Right	10 Inches
Drain Outlet Size	1 1/2 Inches
Faucet Centers	8 Inches

### Features

- Constructed of corrosion-resistant, 16 gauge, type 304 stainless steel
- Three 10" x 14" x 12" sink bowls and rounded corners for easy cleaning
- Galvanized steel legs with adjustable bullet feet for added stability
- Includes 1 1/2" IPS drain connection and 3 1/2" basket strainers
- Backsplash and rolled edges prevent splashes and overflow

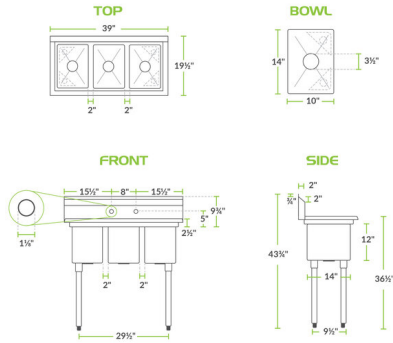
### Certifications



## Technical Data

Features	NSF Certified
Gauge	16 Gauge
Leg Construction	Galvanized Steel
Material	Stainless Steel
Number of Compartments	3 Compartments
Number of Drainboards	None
Stainless Steel Type	Type 304
Style	0 Drainboards
Type	Straight / Line Sinks

## Plan View



## Notes & Details

This versatile Regency three compartment commercial sink offers you the divided bowls that you need to efficiently clean your dishes at an affordable price! Constructed with corrosion-resistant 16 gauge, type 304 stainless steel, this sink's three 10" x 14" compartments allow you to conveniently complete the entire dishwashing process - washing, rinsing, and sanitizing - within the same compact unit.

This three compartment commercial sink rests atop four galvanized tubular legs with galvanized sockets and adjustable plastic feet. It features a 9 3/4" backsplash with two holes punched on 8" centers to accommodate a wall-mounted faucet (sold separately). The front and sides have a 2 1/2" rolled edge to help contain splashes and overflow. Each compartment is 12" deep with a 3 1/2" basket strainer. For easy cleaning, each compartment has rounded corners. Designed for medium-duty use, this Regency sink is ideal for most restaurants.

**⚠️ WARNING:** This product can expose you to chemicals including Lead and Nickel, which are known to the State of California to cause cancer and birth defects or other reproductive harm. For more information, go to [www.p65warnings.ca.gov](http://www.p65warnings.ca.gov).