

REGENCY
Tables and Sinks

Regency 43" Two Compartment Commercial Sink with Galvanized Steel Legs and 18" x 18" x 14" Sink Bowls

#600S21818G



Technical Data

Length	43 Inches
Width	23 1/2 Inches
Height	43 3/4 Inches
Bowl Depth	14 Inches
Backsplash Height	9 Inches
Basket Drain Size	3 1/2 Inches
Bowl Front to Back	18 Inches
Bowl Left to Right	18 Inches
Drain Outlet Size	1 1/2 Inches
Faucet Centers	8 Inches

Features

- Constructed of corrosion-resistant, 16 gauge, type 304 stainless steel
- Two 18" x 18" x 14" sink bowls with rounded corners for easy cleaning
- Galvanized steel legs with adjustable bullet feet for added stability
- 3 1/2" drain baskets included
- Faucet holes pre-punched on 8" centers (faucet sold separately)

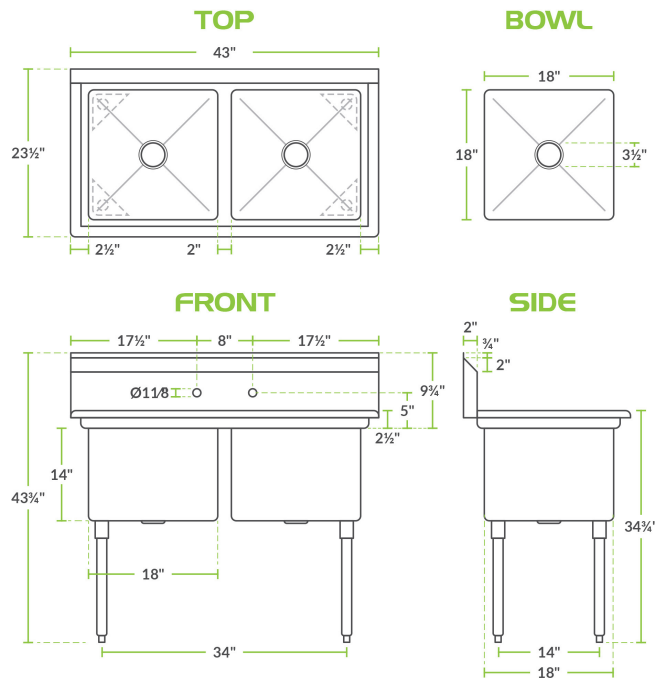
Certifications



Technical Data

Features	NSF Certified
Gauge	16 Gauge
Leg Construction	Galvanized Steel
Material	Stainless Steel
Number of Compartments	2 Compartments
Number of Drainboards	None
Stainless Steel Type	Type 304
Style	0 Drainboards
Type	Straight / Line Sinks

Plan View



Notes & Details

Outfit your facility with a long-lasting sink with this Regency 43" two compartment commercial sink. It's constructed from high-quality, 16 gauge, type 304 stainless steel, making it more corrosion-resistant and durable than other sinks made from thinner, 18 gauge, type 430 stainless steel. It's dipped a minimum of 1/4" to facilitate better drainage, and the welded construction contributes to the long-lasting use and overall strength of this sink.

The 18" x 18" x 14" sink bowls are die-stamped to a minimum of 1/4" to ensure proper drainage. Plus, each bowl includes a 3 1/2" basket strainer to catch food debris, which prevents the drain from clogging. For easy cleaning, each compartment has rounded corners so you can rinse and wipe down the sink.

A 9" tall backsplash is included and comes complete with two 1 1/8" diameter holes punched on 8" centers to accommodate a faucet (sold separately). This sink also includes a 1 1/2" raised rolled edge, which is 2" tall on the front and both sides to contain splashes and overflow. This model has 1 5/8" galvanized steel legs and adjustable plastic bullet feet to keep the sink level and stable. Designed for medium-duty use, this Regency sink is ideal for most restaurants.

WARNING: This product can expose you to chemicals including lead, which are known to the State of California to cause cancer and birth defects or other reproductive harm. For more information, go to www.p65warnings.ca.gov.