



## Regency 44 1/2" One Compartment Commercial Sink with Galvanized Steel Legs and 18" Left Drainboard

#600S124241GL



### Technical Data

Length	44 1/2 Inches
Width	29 1/2 Inches
Height	43 3/4 Inches
Drainboard Length	18 Inches
Bowl Depth	14 Inches
Backsplash Height	9 Inches
Work Surface Height	34 3/4 Inches
Basket Drain Size	3 1/2 Inches
Bowl Front to Back	24 Inches
Bowl Left to Right	24 Inches

### Features

- Corrosion-resistant, durable 16 gauge, type 304 stainless steel construction
- Designed with a 24" x 24" x 14" sink bowl and rounded corners for easy cleaning
- Galvanized steel legs and adjustable plastic bullet feet provide stability
- 18" drainboard and a 3 1/2" drain basket
- Backsplash and rolled edges prevent splashes and overflow

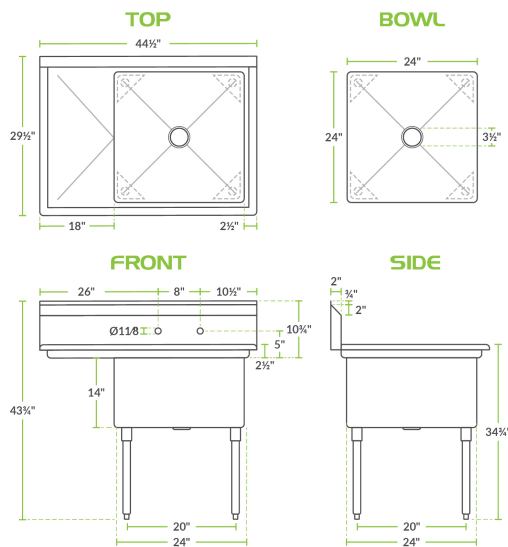
### Certifications



## Technical Data

Faucet Centers	8 Inches
Features	NSF Certified
Gauge	16 Gauge
Leg Construction	Galvanized Steel
Material	Stainless Steel
Number of Compartments	1 Compartment
Number of Drainboards	1 Drainboard
Stainless Steel Type	Type 304
Style	1 Drainboard

## Plan View



## Notes & Details

Outfit your facility with a long-lasting sink with this Regency one compartment commercial sink. It's constructed from high-quality, 16 gauge, type 304 stainless steel, making it more corrosion-resistant and durable than other sinks made from thinner, 18 gauge, type 430 stainless steel. This sink features a sturdy 18" drainboard so you can easily wash and dry dishes and utensils in one convenient location. It's dipped a minimum of 1/4" to facilitate better drainage, and the welded construction contributes to the long-lasting use and overall strength of this sink / drainboard combo.

The 24" x 24" x 14" sink bowl is die-stamped to a minimum of 1/4" to ensure proper drainage. Plus, it includes a 3 1/2" basket strainer to catch food debris, which prevents the drain from clogging. For easy cleaning, the compartment has rounded corners so you can rinse and wipe down the sink.

A 9" tall backsplash is included and comes complete with two 1 1/8" diameter holes punched on 8" centers to accommodate a faucet (sold separately). This sink also includes a 1 1/2" raised rolled edge, which is 2" tall on the front and both sides to contain splashes and overflow. Galvanized steel legs with sockets and adjustable bullet feet provide added stability. Designed for medium-duty use, this Regency sink is ideal for most restaurants.

**WARNING:** This product can expose you to chemicals including lead, which are known to the State of California to cause cancer and birth defects or other reproductive harm. For more information, go to [www.p65warnings.ca.gov](http://www.p65warnings.ca.gov).