

REGENCY
Tables and Sinks

Regency 22" One Compartment Commercial Sink with Galvanized Steel Legs and 17" x 17" x 12" Sink Bowl

#600S11717G



Technical Data

Length	22 Inches
Width	22 13/16 Inches
Height	44 3/4 Inches
Bowl Depth	12 Inches
Work Surface Height	36 1/2 Inches
Basket Drain Size	3 1/2 Inches
Bowl Front to Back	17 Inches
Bowl Left to Right	17 Inches
Drain Outlet Size	1 1/2 Inches
Faucet Centers	8 Inches

Features

- Corrosion-resistant, durable 16 gauge, type 304 stainless steel construction
- Designed with a 17" x 17" x 12" sink bowl and rounded corners for easy cleaning
- Galvanized steel legs and adjustable plastic bullet feet provide stability
- 3 1/2" drain basket strainer and 1 1/2" IPS drain connection
- Backsplash and rolled edges prevent splashes and overflow

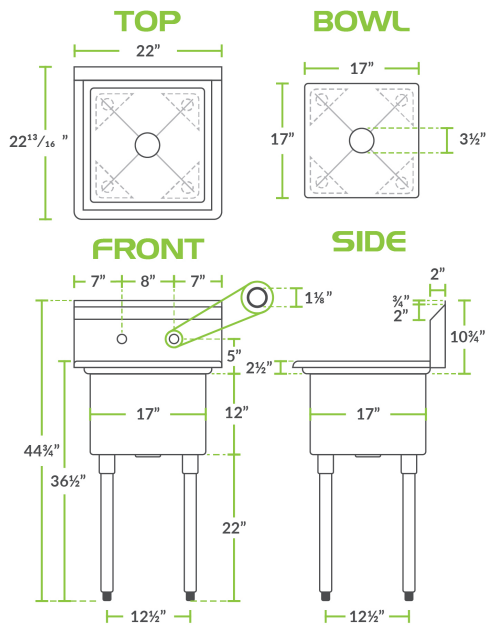
Certifications



Technical Data

Features	NSF Certified
Gauge	16 Gauge
Leg Construction	Galvanized Steel
Material	Stainless Steel
Number of Compartments	1 Compartment
Number of Drainboards	None
Stainless Steel Type	Type 304
Style	0 Drainboards

Plan View



Notes & Details

Ideal for washing pots or prepping food, this Regency one compartment commercial sink is a great addition to your busy commercial kitchen. It's constructed from high-quality, 16 gauge, type 304 stainless steel, making it more corrosion-resistant and durable than other sinks made from thinner, 18 gauge material. This sink also features welded construction for long-lasting use and overall strength.

The 17" x 17" x 12" sink bowl is die-stamped to a minimum of 1/4" to ensure proper drainage. Plus, it includes a 3 1/2" basket strainer to catch food debris, which prevents the drain from clogging. For easy cleaning, the compartment has rounded corners so you can rinse and wipe down the sink.

A 10" tall backsplash is included with two 1 1/8" diameter holes punched for a faucet (sold separately). This sink also comes complete with a 1 1/2" raised rolled edge, which is 2" tall on the front and both sides to contain splashes and overflow. The legs are constructed of 1 5/8" diameter galvanized steel with galvanized leg sockets and adjustable plastic feet so you can install this sink to best fit your needs. The deck height is approximately 34". Designed for medium-duty use, this Regency sink is ideal for most restaurants.