



Regency Single Bowl Hot and Cold Portable Hand Sink Cart

#600PHS30HC



Technical Data

Length	30 Inches
Depth	25 1/4 Inches
Height	49 1/2 Inches
Bowl Depth	6 Inches
Voltage	115 Volts
Bowl Front to Back	14 Inches
Bowl Left to Right	12 Inches
Color	Silver
Dispenser Type	C-Fold M-Fold

Features

- Allows you to easily add a temporary, space-efficient handwashing station virtually anywhere
- Includes one removable 5 gallon fresh water tank and one removable 7.5 gallon waste water tank
- 18 gauge, 304 stainless steel cabinet body includes lockable swing door
- Features a soap dispenser and paper towel holder on a 15 1/2" backsplash
- Water inlet connection can be hooked directly to a 3/4" GHT or draw from a portable clean water tank

Certifications



NSF Listed



5-15P

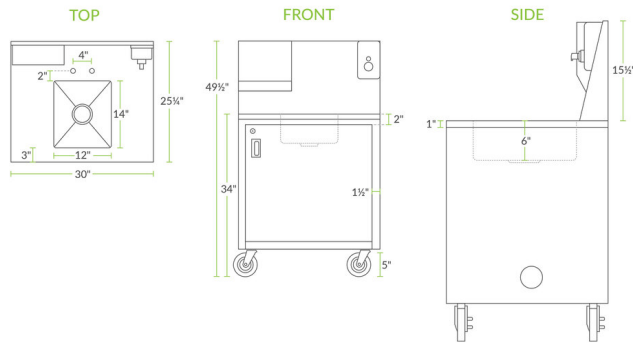


1/2" Water Connection

Technical Data

Features	NSF Listed Paper Towel Dispenser Soap Dispenser Waste Container
Fresh Water Tank Capacity	5 Gallons
Gauge	18 Gauge
Installation Type	Portable
Material	Stainless Steel
Maximum Temperature	95 Degrees F
Number of Compartments	1 Compartment
Plug Type	NEMA 5-15P
Portable Style	Hot and Cold Water
Type	Carts
Usage	Outdoor
Waste Water Tank Capacity	7.5 gallons
Water Inlet Size	1/2 Inches

Plan View



Notes & Details

Provide a handwashing station at your food truck, outdoor catering event, or festival with this Regency single bowl hot and cold water hand sink cart! This sleek-looking stainless steel cart includes a soap and paper towel dispenser for a proper sanitation station. Featuring a 5 gallon removable fresh water tank and a 7.5 gallon waste water tank for self-contained operation, this unit has a water inlet connection that can be hooked directly to a 3/4" standard garden hose connection or draw from the portable water tank for ease of use. A deck-mounted faucet (sold separately) is required for use.

Designed to supply hot and cold water, this unit uses a 2.5 gallon water heater tank to provide hot water for a more sanitary and comfortable handwashing experience. This cart boasts a 18 gauge, 304 stainless steel body with a lock and key swing door so you can store away backup supplies without worry of them being taken. Additionally, the paper towel dispenser accommodates both M-fold and C-fold paper towels (sold separately) for added versatility. Plus, this sink cart ships fully assembled so that it's ready to use right away. The water heater and pump require a 120V electrical connection for operation.

⚠️ WARNING: This product can expose you to chemicals including lead, which are known to the State of California to cause cancer and birth defects or other reproductive harm. For more information, go to www.p65warnings.ca.gov.