



Regency 63" Standard Stainless Steel Portable Bar with Two Removable Speed Rails, Ice Bin, and Removable Ice Bin Cover

#600PB63S



Technical Data

Width	63 Inches
Depth	24 Inches
Height	47 5/8 Inches
Ice Bin Length	16 Inches
Ice Bin Width	20 Inches
Width (with Bumpers)	65 Inches
Ice Bin Depth	7 Inches
Casters	With Casters
Color	Black Silver

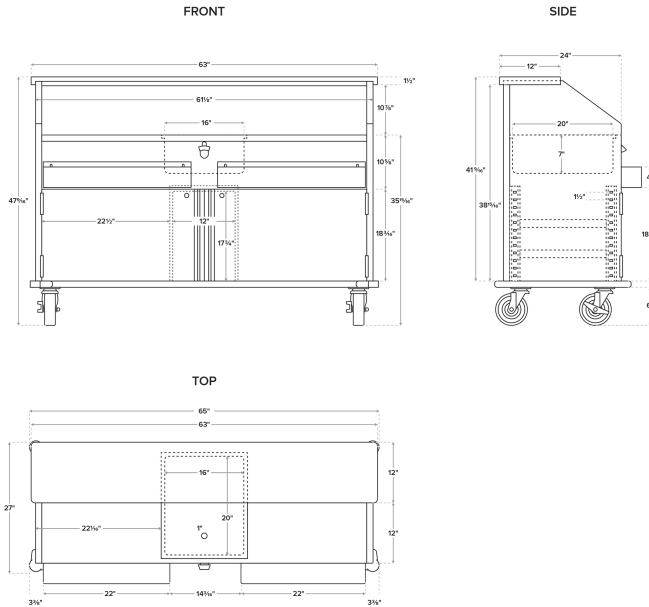
Features

- Great for hotels, catering businesses, and outdoor events
- Features a 20" x 16" drop-in insulated ice bin with removable cover for maximum work space
- 5" swivel casters with locking breaks for added maneuverability
- Full perimeter bumpers offer superior protection
- Includes two removable speed rails, a steel bottle opener, and lockable cabinet doors

Technical Data

Features	Locking Cabinet With Ice Sink
Material	Laminate Stainless Steel
Roof Style	None

Plan View



Notes & Details

Take your bar service anywhere with this Regency 63" standard stainless steel portable bar with two removable speed rails, insulated ice bin, and removable ice bin cover! Designed for easy drink preparation and serving, this portable bar comes with dual surfaces for creating delicious drinks as well as presenting those creations to customers. Located directly below the 3/4" thick black laminate top, the work top creates a row to lineup drinks and quickly add ice, garnishes, straws, and more. This differentiation also ensures guests do not grab drinks before they're ready to go, so you have happy customers and fewer spills! Designed for easy drink preparation and serving, this portable bar comes with a 20" x 16" insulated ice bin with 1/2" brass ball valve drain and two removable speed rails, so you can keep the most popular syrups and liquors right at your fingertips! The removable ice bin cover ensures maximum workspace. A steel bottle opener is also included for added convenience.

Thanks to its all-welded type 304 stainless steel construction, this portable bar does not retain odors from spills and is easy to wipe clean and sanitize. Four 5" polyurethane swivel casters enable you to effortlessly reposition your bar for new events or thorough floor cleaning. When ready to lock the bar into position, flip down the two casters with brakes. Plus, the full perimeter bumpers offer superior protection for your walls and furniture during transportation. The large bottom lockable cabinets are perfect for keeping your prep tools, ingredients, mixes, garnishes, ice, and glasses. It's also a private place to store staff's personal possessions or money boxes. This portable bar will make beverage service in your banquet hall, hotel lobby, outdoor wedding reception, or poolside terrace a breeze!

WARNING: This product can expose you to chemicals including lead, which are known to the State of California to cause cancer and birth defects or other reproductive harm. For more information, go to www.p65warnings.ca.gov