



Regency 6" x 6" Stainless Steel Black Matte Surface-Mount Beer Drip Tray with Rinser

#600MBD6R



Technical Data

| | |
|----------------|---------------------------------|
| Width | 6 Inches |
| Depth | 6 Inches |
| Height | 3/4 Inch |
| Color | Black |
| Features | Dishwasher Safe Glass Rinser |
| Gauge | 18 Gauge |
| Material | Stainless Steel |
| Mounting Style | Surface Mounted |
| Shape | Square |

Features

- Provides the perfect spot for bartenders to set drinks before serving
- Rinser sprays glass with water for perfect pour
- 18 gauge, type 304 stainless steel construction
- Boasts attractive black matte design with removable perforated grate
- Helps drain excess beer and foam to ensure cleanliness

Certifications



Dishwasher Safe



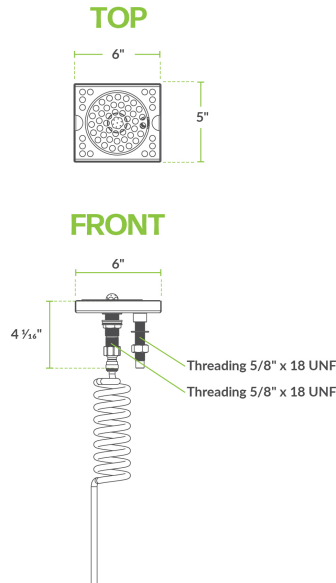
1/2" Water Connection

Technical Data

| | |
|----------------------|-----------------------------|
| Stainless Steel Type | Type 304 |
| Type | Drip Trays Glass Rinsers |
| Water Inlet Size | 1/2 Inches |

Plan View

600MBD6R



Notes & Details

Keep your countertops and floors clean in your bar or club with the help of this Regency black matte beer drip tray with rinser. This product provides the perfect spot for bartenders to set drinks before serving to catch any overflow and prevent drips and spills before they reach the surrounding surfaces. This ensures the utmost safety by minimizing the risk of your bartenders or customers slipping on the wet floor. This drip tray is designed to be mounted underneath beer taps and on countertops, making a secure and stable platform for filled glasses. It even boasts an attractive black matte design to complement your bar.

This drip tray also features a built-in rinser, which can be used to quickly blast the inside of the glass with a stream of water, rinsing it out and also making the inside wet for a cleaner pour. Made of 18 gauge, type 304 stainless steel, you can expect a tough and durable composition, as well as the benefit of being non-corrosive. The top grate features draining slots and is removable for easy cleaning and maintenance. A brass 3 1/2" x 5/8"-18 threaded drain allows any liquids to flow out of the rail, preventing overflows onto the floor or counter. The rinser features a 1/2" inlet for connection to a water line. Perfect for catching spilled drinks and beer foam, equip your high-volume bar, pub, or club with this drip tray to keep your space sanitary and up to code!

⚠️ WARNING: This product can expose you to chemicals including lead, which are known to the State of California to cause cancer and birth defects or other reproductive harm. For more information, go to www.p65warnings.ca.gov.