

REGENCY
Tables and Sinks

Regency 24" Five-Tiered Stainless Steel Liquor Display Rack - 26" Deep

#600LDR2624



Technical Data

Length	24 Inches
Width	26 Inches
Height	36 Inches
Backsplash Height	6 Inches
Work Surface Height	30 Inches
Backsplash	With Backsplash
Capacity	30 Bottles
Features	NSF Listed
Gauge	16 - 18 Gauge
Leg Construction	Galvanized Steel

Features

- 24" wide x 26" deep with 6" backsplash
- Five-tiered design; holds approximately 30 liquor bottles
- 18 gauge type 304 stainless steel bottom, back, sides, hat channel, and steps
- 16 gauge type 304 2" wide bars hold bottles in place
- Galvanized legs with stainless steel sockets and plastic bullet feet

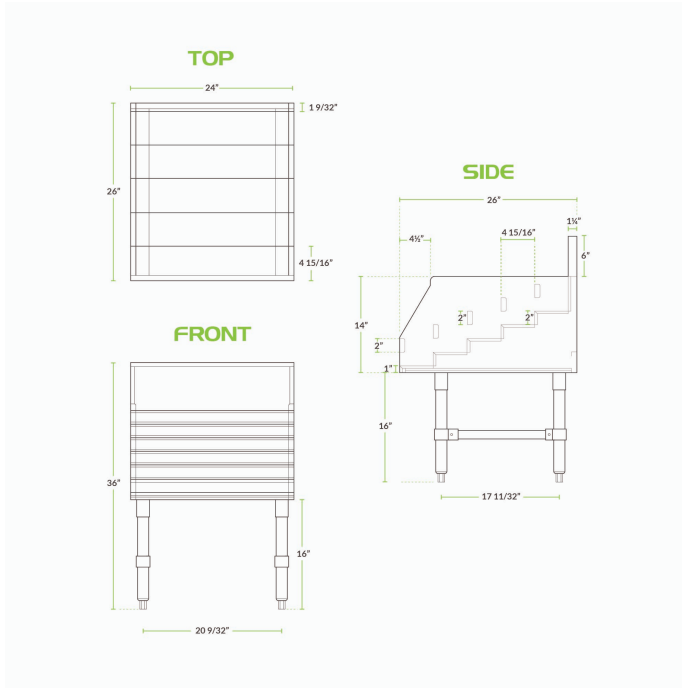
Certifications



Technical Data

Material	Stainless Steel
Number of Tiers	5 Tiers
Stainless Steel Type	Type 304
Type	Liquor Displays

Plan View



Notes & Details

Effectively store liquor bottles within convenient reach of the bartender while creating a unique display for customers with this Regency 24" wide liquor display rack! At 26" deep, this rack accommodates approximately 30 liquor bottles and, thanks to the stepped five-tiered design, all bottles are clearly on display at all times within a compact 24" wide footprint. A 6" backsplash helps protect the walls and floor around the unit from accidental splashes and spills, while a 2" wide integrated bar on each tier helps hold bottles in place for added assurance.

Built for reliable, long-lasting performance, this Regency 24" liquor display rack features an 18 gauge type 304 stainless steel bottom, back, sides, hat channel, and steps. That not only makes for a durable addition to your bar setup, but also one that is extremely simple to clean! The galvanized legs with stainless steel sockets provide added stability and rest upon plastic bullet feet.