



## Regency 10" x 14" x 5" Wall-Mounted Hand Sink with 4" Centers, Side Splash, and Strainer

#600HS17HSP



### Technical Data

Length	16 3/4 Inches
Width	15 3/8 Inches
Height	12 11/16 Inches
Bowl Depth	5 Inches
Backsplash Height	9 1/2 Inches
Backsplash	With Backsplash
Basket Drain Size	1 1/2 Inches
Bowl Front to Back	10 Inches
Bowl Left to Right	14 Inches
Color	Silver

### Features

- Single deep drawn 10" x 14" x 5" sink bowl
- Durable 20-gauge, 304 stainless steel material
- 18-gauge type 304 stainless steel side splashes and a wall mounted clip
- 1 1/2" IPS drain basket and strainer included
- Perfect for hand washing throughout the workday

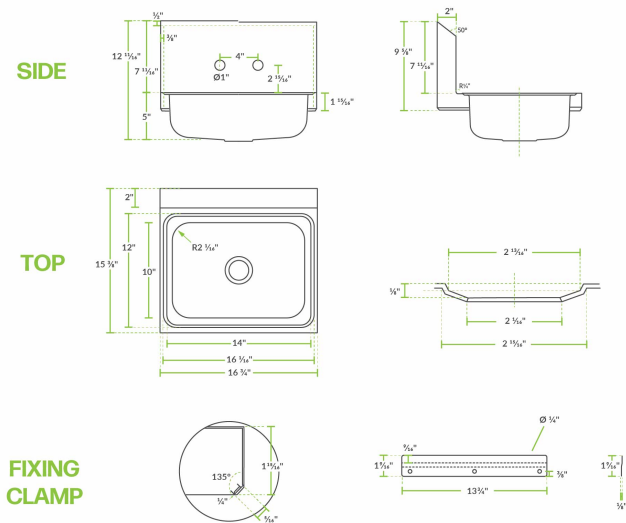
### Certifications



## Technical Data

Faucet Centers	4 Inches
Features	NSF Certified Side Splashes
Gauge	18 - 20 Gauge
Installation Type	Wall Mounted
Material	Stainless Steel
Number of Compartments	1 Compartment
Number of Faucets	1 Faucets
Stainless Steel Type	Type 304
Type	Hand Sinks

## Plan View



## Notes & Details

Efficiently wash and sanitize your hands with this Regency wall-mounted hand sink! This hand sink is made of 20-gauge type 304 stainless steel along its top, bowl, and backsplash, guaranteeing reliability and durability. This material is corrosion-resistant when properly maintained. This sink is easy to clean and provides an affordably-priced hand washing station for any commercial kitchen. It features a single deep drawn 10" x 14" x 5" sink bowl with a compact design that allows the sink to fit in tight spaces and securely attach to the wall or a surface to open up floor space for other uses. To help limit possible contamination, two 18-gauge type 304 stainless steel side splashes are included with the sink. This added protection allows you to place the sink closer to work counters and other high-traffic areas without worry.

This hand sink comes with a wall-mount clip, only requiring 3 screws (sold separately) to complete installation. For proper drainage, a removable 1 1/2" IPS drain basket is included to eliminate the possibility of drain clogging. With a convenient 9 1/2" high backsplash, any water splashes will be confined inside the sink and then directly drip down the drain. This added feature helps maintain the integrity of your wall and floor to keep your establishment in its best condition. This hand sink includes a strainer and has two holes punched on 4" centers for a wall-mounted faucet (sold separately).

**⚠ WARNING:** This product can expose you to chemicals including lead, which are known to the State of California to cause cancer and birth defects or other reproductive harm. For more information, go to [www.p65warnings.ca.gov](http://www.p65warnings.ca.gov).