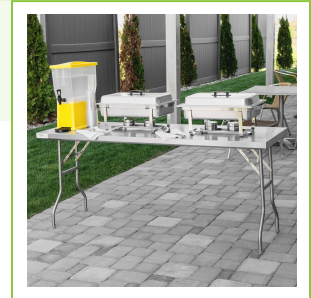




Regency 24" x 72" 18-Gauge Stainless Steel Open Base Folding Work Table

#600FWT2472



Technical Data

Length	72 Inches
Width	24 Inches
Height	30 7/8 Inches
Backsplash	Without Backsplash
Color	Silver
Features	NSF Certified
Gauge	18 Gauge
Shape	Rectangle
Size	24" x 72"
Stainless Steel Type	Type 430

Features

- Folding design for easy transportation and efficient storage
- Rugged 18-gauge type 430 stainless steel top
- Stainless steel hat channel for sturdy, reliable performance
- Foot caps protect floors from scuff marks and provide extra traction on slick surfaces
- Great for catered events, banquet halls, and food festivals

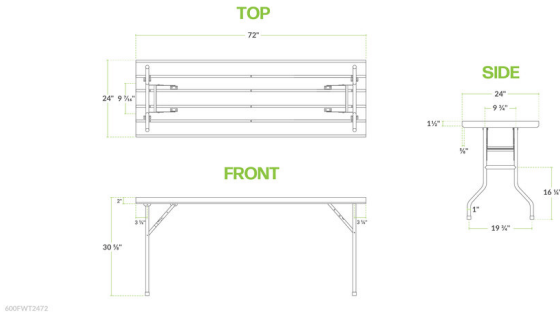
Certifications



Technical Data

Table Style	Open Base
Tabletop Material	Stainless Steel
Top Shelf Capacity	300 lb.
Type	Folding Tables

Plan View



Notes & Details

Quickly set up the serving area at any banquet hall or catered event with this Regency 24" x 72" open base stainless steel folding work table! Thanks to its folding design, this work table can easily be transported to remote sites. When it's time for setup, the stainless steel legs are simply locked into an upright position to give you a sturdy foundation for urns filled with piping hot coffee, chafers full of steaming fresh food, or kettles filled with your signature soups. Whether it be a workstation at a pop-up farmers market or a prep area at a food festival, this table is the perfect portable workspace solution for a variety of diverse applications.

Not only does this unit's stainless steel construction provide an industrial aesthetic that sets it apart from comparable plastic tables, but it also makes it incredibly durable to ensure long-lasting use. The 18-gauge type 430 stainless steel top is supported by legs with a 1" diameter and are secured by a stainless steel hat channel for added structural integrity. Plus, each leg features a capped foot to protect floors from scuff marks while also providing improved traction on slick surfaces.

⚠ WARNING: This product can expose you to chemicals including lead, which are known to the State of California to cause cancer and birth defects or other reproductive harm. For more information, go to www.p65warnings.ca.gov.