



## Regency 24" x 17 1/2" Hand Sink for (1) 8" Center Faucet

#600FHDMS1824



### Technical Data

Length	24 Inches
Width	17 1/2 Inches
Height	37 1/2 Inches
Bowl Depth	8 Inches
Backsplash Height	3 1/2 Inches
Backsplash	With Backsplash
Basket Drain Size	3 1/2 Inches
Bowl Front to Back	14 Inches
Bowl Left to Right	24 Inches
Drain Outlet Size	1 1/2 Inches

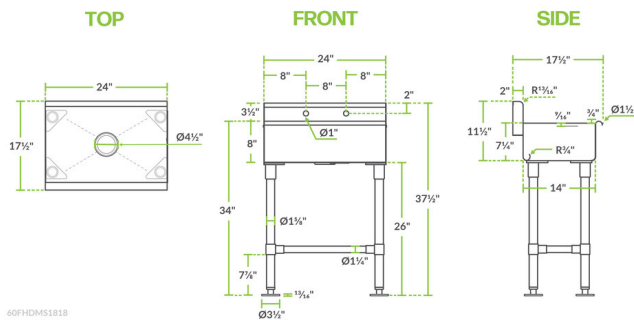
### Features

- Made from rugged 16 gauge type 304 stainless steel
- Punched with 1 set of 8" centers for a wall-mounted faucet (sold separately)
- Features an 8" deep bowl with 1 1/2" IPS drain connection
- 3 1/2" high backsplash protects walls from spills or water damage
- Includes a 3 1/2" drain basket to prevent clogs

## Technical Data

Faucet Centers	8 Inches
Gauge	16 Gauge
Installation Type	Freestanding
Material	Stainless Steel
Number of Compartments	1 Compartment
Number of Drainboards	None
Stainless Steel Type	Type 304
Type	Hand Sinks

## Plan View



## Notes & Details

Maintain a sanitary environment in your restaurant, stadium, or manufacturing facility by providing a convenient way for people to quickly wash their hands with this Regency hand sink for a wall-mounted faucet! Made of rugged 16 gauge type 304 stainless steel, this sink is rust- and corrosion-resistant. It's extremely durable and built for everyday commercial use.

This free-standing sink station includes a set of holes punched on 8" centers, allowing you to add a compatible faucet (sold separately). Installing a compatible wall-mounted gooseneck faucet would be the perfect addition to this sink, as the gooseneck shape provides the right amount of clearance for handwashing. Likewise, The unit is also equipped with a spacious 8" deep sink bowl for handwashing applications.

The unit's legs are made of stainless steel, and they feature bullet feet that offer 1" of adjustability for convenience. A 3 1/2" high backsplash protects your walls from splashing and water damage. Plus, the included 3 1/2" drain basket keeps your drain clog-free. This unit comes with a 1 1/2" IPS drain connection. For safety, the outer edge of the sink bowl is curled under to eliminate any sharp edges.

**WARNING:** This product can expose you to chemicals including lead, which are known to the State of California to cause cancer and birth defects or other reproductive harm. For more information, go to [www.p65warnings.ca.gov](http://www.p65warnings.ca.gov).