

REGENCY
Tables and Sinks

Regency 30" x 72" 16-Gauge Stainless Steel Equipment Stand with Undershef

#600ES3072S



Technical Data

Length	72 Inches
Width	30 Inches
Height	26 Inches
Work Surface Height	24 Inches
Backsplash	With Backsplash
Features	Customizable Height NSF Certified With Undershef
Gauge	16 Gauge
Leg Construction	Stainless Steel

Features

- 16-gauge type 304 stainless steel top shelf and legs
- 18-gauge type 430 stainless steel undershef and adjustable stainless steel bullet feet
- Perfect for your heavy countertop equipment
- 2" edging keeps equipment from falling off
- 1000 lb. top shelf weight capacity; 780 lb. undershef weight capacity

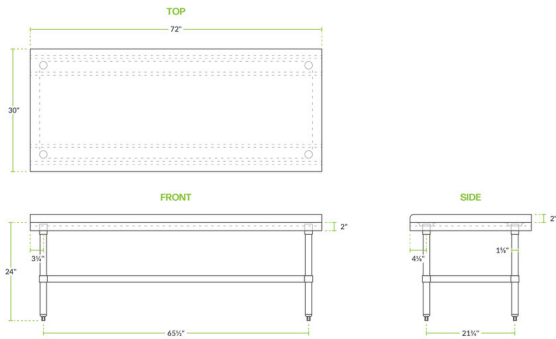
Certifications



Technical Data

Stainless Steel Type	Type 304
Style	Stationary
Table Style	Undershelf
Top Capacity	1000 lb.
Top Material	Stainless Steel
Type	Equipment Stands
Undershelf Capacity	780 lb.
Undershelf Construction	Stainless Steel
Usage	Standard Duty

Plan View



Notes & Details

This Regency 30" x 72" stainless steel equipment stand is built to hold up to daily use in even the busiest commercial settings! It features a durable 16-gauge type 304 stainless steel top that can support up to 1000 lb. of evenly distributed weight, while the 18-gauge type 430 stainless steel undershelf can hold 780 lb.

This stand is ideal for heavy countertop equipment like slushy machines, beverage dispensers, soft serve ice cream machines, and more! A 2" edging comes standard to help contain equipment and contents for added safety. This unit stands on sturdy stainless steel legs and adjustable bullet feet that allow you to level the stand on uneven surfaces.

⚠ WARNING: This product can expose you to chemicals including Lead and Nickel, which are known to the State of California to cause cancer and birth defects or other reproductive harm. For more information, go to www.p65warnings.ca.gov