

**REGENCY**  
Tables and Sinks

## Regency 30" x 72" 16 Gauge Stainless Steel Equipment Stand with Galvanized Undershef and Casters

#600ES3072GK



### Technical Data

Length	72 Inches
Width	30 Inches
Height	26 Inches
Backsplash Height	2 Inches
Work Surface Height	24 Inches
Backsplash	With Backsplash
Caster Type	4 Swivel
Casters	With Casters
Features	NSF Certified With Undershef

### Features

- 16 gauge type 304 stainless steel top shelf
- Galvanized steel undershef and legs add durability
- Perfect for holding heavy countertop equipment
- 2" edging keeps equipment from falling off
- 1,000 lb. top shelf weight capacity; 780 lb. undershef weight capacity

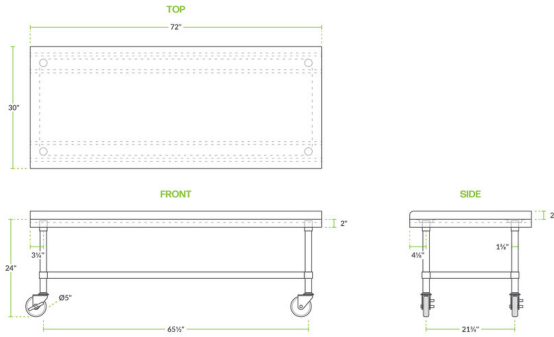
### Certifications



## Technical Data

Gauge	16 Gauge
Leg Construction	Galvanized Steel
Shape	Rectangle
Stainless Steel Type	Type 304
Style	Mobile
Table Style	Undershelf
Top Capacity	1000 lb.
Top Material	Stainless Steel
Type	Equipment Stands
Undershelf Capacity	780 lb.
Undershelf Construction	Galvanized Steel
Usage	Standard Duty
Wheel Size	5 Inches

## Plan View



## Notes & Details

This Regency 30" x 72" stainless steel equipment stand is built to hold up to daily use in even the busiest commercial settings! Its durable steel construction, impressive weight capacity, and additional undershelf make it the perfect choice for storing both your equipment and the supplies that come with it. This Regency equipment stand features a durable 16 gauge, type 304 stainless steel top shelf that can support up to 1,000 lb. of evenly distributed weight, making it well-suited for holding up slushy machines, beverage dispensers, and soft serve ice cream machines! It's ideal for malt shops, snack stands, convenience stores, and bakeries!

The galvanized steel undershelf can hold up to 780 lb., allowing you to store additional equipment and supplies for convenient access. For added security, a 2" edging comes standard to help keep equipment and other contents from sliding off and becoming damaged. The bullet feet allow you to level your stand on uneven surfaces for the best possible stability, while the included 5" swivel casters are easy to assemble and allow your stand to be mobilized. This unit features galvanized steel legs and sockets to ensure excellent corrosion resistance, and it's easy to assemble with the included Allen wrench and screws.

**⚠ WARNING:** This product can expose you to chemicals including lead, which are known to the State of California to cause cancer and birth defects or other reproductive harm. For more information, go to [www.p65warnings.ca.gov](http://www.p65warnings.ca.gov).