

REGENCY
Tables and Sinks

Regency 30" x 30" 16-Gauge Stainless Steel Equipment Stand with Galvanized Undershef

#600ES3030G



Technical Data

| | |
|---------------------|--|
| Length | 30 Inches |
| Width | 30 Inches |
| Height | 26 Inches |
| Work Surface Height | 24 Inches |
| Backsplash | With Backsplash |
| Features | Customizable Height NSF Certified With Undershef |
| Gauge | 16 Gauge |
| Leg Construction | Galvanized Steel |

Features

- 16-gauge stainless steel top shelf
- Galvanized steel undershef and legs with adjustable plastic bullet feet
- Perfect for your heavy countertop equipment
- 2" edging keeps equipment from falling off
- 800 lb. top shelf weight capacity; 620 lb. undershef weight capacity

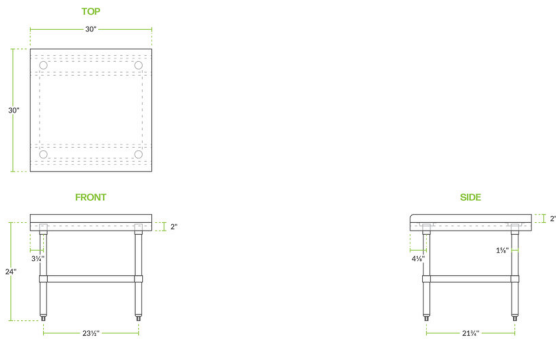
Certifications



Technical Data

| | |
|-------------------------|------------------|
| Stainless Steel Type | Type 304 |
| Style | Stationary |
| Table Style | Undershelf |
| Top Capacity | 800 lb. |
| Top Material | Stainless Steel |
| Type | Equipment Stands |
| Undershelf Capacity | 620 lb. |
| Undershelf Construction | Galvanized Steel |
| Usage | Standard Duty |

Plan View



Notes & Details

This Regency 30" x 30" stainless steel equipment stand is built to stand up to daily use in even the busiest commercial settings! It features a durable 16-gauge type 304 stainless steel top shelf that can support up to 800 lb. of evenly distributed weight, while the galvanized steel undershelf can hold 620 lb.

This stand is ideal for heavy countertop equipment like slushy machines, beverage dispensers, soft serve ice cream machines, and more! A 2" edging comes standard to help contain equipment and contents for added safety. This unit stands on sturdy galvanized steel legs with adjustable plastic bullet feet that allow you to level the stand on uneven surfaces.

⚠ WARNING: This product can expose you to chemicals including Lead and Nickel, which are known to the State of California to cause cancer and birth defects or other reproductive harm. For more information, go to www.p65warnings.ca.gov