



Regency 24" x 48" 16-Gauge Stainless Steel Equipment Stand With Undershaft

#600ES2448S



Technical Data

Length	48 Inches
Width	24 Inches
Height	26 Inches
Work Surface Height	24 Inches
Backsplash	With Backsplash
Features	Customizable Height NSF Certified With Undershaft
Gauge	16 Gauge
Leg Construction	Stainless Steel

Features

- Features a 16-gauge stainless steel top
- 18-gauge type 430 stainless steel undershaft and legs
- 800 lb. top shelf weight capacity; 620 lb. undershaft weight capacity
- 2" high edging contains equipment and supplies
- Great for increasing work space in busy commercial kitchens

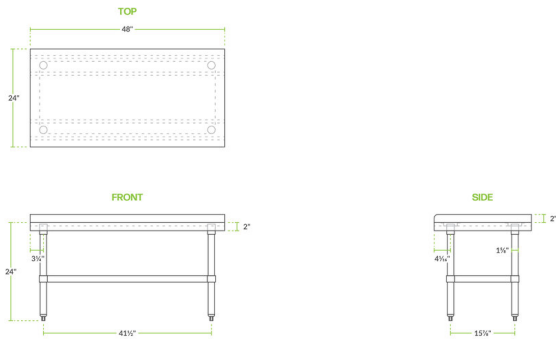
Certifications



Technical Data

Stainless Steel Type	Type 304
Style	Stationary
Table Style	Undershelf
Top Capacity	800 lb.
Top Material	Stainless Steel
Type	Equipment Stands
Undershelf Capacity	620 lb.
Undershelf Construction	Stainless Steel
Usage	Standard Duty

Plan View



Notes & Details

This Regency 24" x 48" stainless steel equipment stand is built to stand up to daily use in even the busiest commercial kitchen. Great for holding countertop equipment, this stand provides additional space in your kitchen to maintain a clean and organized environment. Featuring a durable 16-gauge, 304 stainless steel top that can support up to 800 lb. of evenly distributed weight, it's perfect for heavy mixers, slicers, countertop ranges, and more!

Plus, an 18-gauge type 430 stainless steel undershelf with hat channel provides additional room for supplies and can hold 620 lb. A 2" high edging comes standard to help contain equipment and contents for added safety. For added stability, the feet are adjustable so you can easily compensate for slightly uneven or slanted floors.

⚠️ WARNING: This product can expose you to chemicals including Lead and Nickel, which are known to the State of California to cause cancer and birth defects or other reproductive harm. For more information, go to www.p65warnings.ca.gov.