

**REGENCY**  
Tables and Sinks

**Regency 30" x 48" 16 Gauge Type 304 Stainless Steel Enclosed Base Open Front Table with Adjustable Midshelf and 6" Backsplash**

#600EBTB3048



**Technical Data**

Length	48 Inches
Width	30 Inches
Height	42 Inches
Mid-Shelf Length	46 1/2 Inches
Mid-Shelf Width	27 5/16 Inches
Backsplash Height	6 Inches
Work Surface Height	36 Inches
Backsplash	With Backsplash
Door Style	None
Features	NSF Certified

**Features**

- Durable 16 gauge type 304 stainless steel top with 18 gauge type 430 stainless steel body
- Open front allows for quicker and easier access to supplies
- Adjustable / removable stainless steel midshelf maximizes storage capacity
- Large 30" x 48" worktop for plenty of working room
- A 6" backsplash prevents messes from getting onto the wall

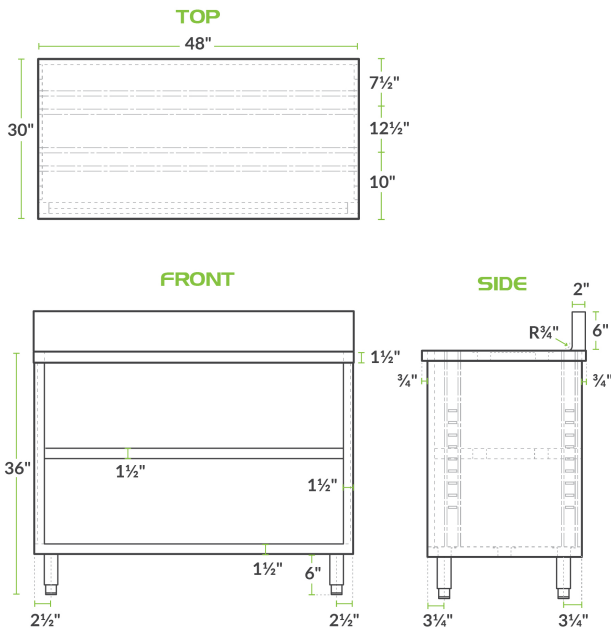
**Certifications**



## Technical Data

Gauge	16 - 18 Gauge
Mid-Shelf Capacity	260 lb.
Stainless Steel Type	Type 304 Type 430
Table Style	Enclosed Base
Tabletop Material	Stainless Steel
Top Capacity	690 lb.
Undershelf Capacity	420 lb.

## Plan View



## Notes & Details

With both ample work space as well as storage space, this Regency 30" x 48" 16 gauge type 304 stainless steel enclosed base table will ensure your establishment is efficient and organized! A large 30" x 48" worktop will give you plenty of room to operate and is made of durable 16 gauge type 304 stainless steel. Plus, with a body made of 18 gauge type 430 stainless steel, this enclosed base table offers reliable durability in your kitchen.

The adjustable / removable midshelf allows you to maximize the storage space and fit both large as well as small items. A 4" backsplash prevents any messes from getting onto the wall behind the unit, helping make cleanup easier. The open front design provides quick identification for quicker and easier access to supplies. Bullet style feet easily adjust up and down so that your base can be leveled on uneven surfaces.

**WARNING:** This product can expose you to chemicals including lead, which are known to the State of California to cause cancer and birth defects or other reproductive harm. For more information, go to [www.p65warnings.ca.gov](http://www.p65warnings.ca.gov).