



Regency 30" x 96" 16 Gauge Type 304 Stainless Steel Enclosed Base Table with Open Front and Adjustable Midshelf

#600EBT3096



Technical Data

Length	96 Inches
Width	30 Inches
Height	36 Inches
Mid-Shelf Length	94 1/2 Inches
Mid-Shelf Width	27 5/16 Inches
Backsplash Height	Without Backsplash
Work Surface Height	36 Inches
Backsplash	Without Backsplash
Door Style	None
Features	NSF Certified

Features

- Durable 16 gauge type 304 stainless steel top with 18 gauge type 430 stainless steel body
- Open front allows for quicker and easier access to supplies
- Adjustable / removable stainless steel midshelf maximizes storage capacity
- Large 30" x 96" worktop for plenty of working room
- Bullet style feet easily adjust to keep the base level

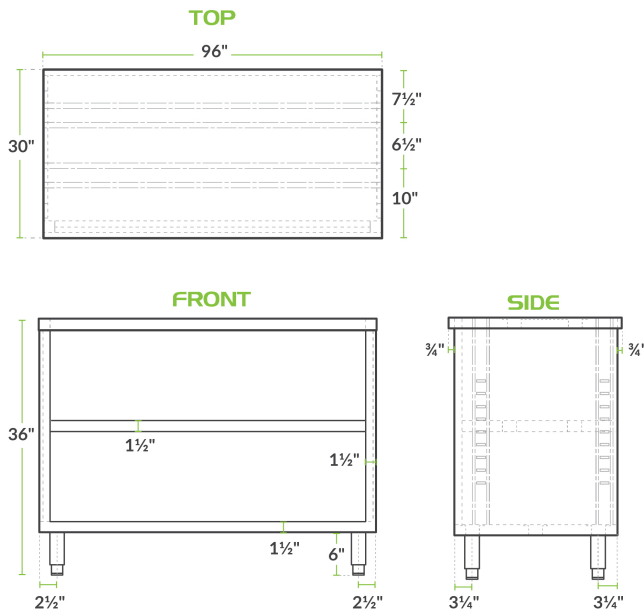
Certifications



Technical Data

Gauge	16 - 18 Gauge
Mid-Shelf Capacity	300 lb.
Stainless Steel Type	Type 304 Type 430
Table Style	Enclosed Base
Tabletop Material	Stainless Steel
Top Capacity	970 lb.
Undershelf Capacity	500 lb.

Plan View



Notes & Details

With both ample work space as well as storage space, this Regency 30" x 96" 16 gauge type 304 stainless steel enclosed base table will ensure your establishment is efficient and organized! A large 30" x 96" worktop will give you plenty of room to operate and is made of durable 16 gauge type 304 stainless steel. Plus, with a body made of 18 gauge type 430 stainless steel, this enclosed base table offers reliable durability in your kitchen.

The adjustable / removable midshelf allows you to maximize the storage space and fit both large as well as small items. The open front design provides quick identification for quicker and easier access to supplies. Bullet style feet easily adjust up and down so that your base can be leveled on uneven surfaces.

⚠ WARNING: This product can expose you to chemicals including lead, which are known to the State of California to cause cancer and birth defects or other reproductive harm. For more information, go to www.p65warnings.ca.gov.