

**REGENCY**  
Tables and Sinks

**Regency 24" x 72" 16 Gauge Type 304 Stainless Steel Enclosed Base Table with Open Front and Adjustable Midshelf**

#600EBT2472



**Technical Data**

|                     |                    |
|---------------------|--------------------|
| Length              | 72 Inches          |
| Width               | 24 Inches          |
| Height              | 36 Inches          |
| Mid-Shelf Length    | 70 1/2 Inches      |
| Mid-Shelf Width     | 21 5/16 Inches     |
| Backsplash Height   | Without Backsplash |
| Work Surface Height | 36 Inches          |
| Backsplash          | Without Backsplash |
| Door Style          | None               |
| Features            | NSF Certified      |

**Features**

- Durable 16 gauge type 304 stainless steel top with 18 gauge type 430 stainless steel body
- Open front allows for quicker and easier access to supplies
- Adjustable / removable stainless steel midshelf maximizes storage capacity
- Large 24" x 72" worktop for plenty of working room
- Bullet style feet easily adjust to keep the base level

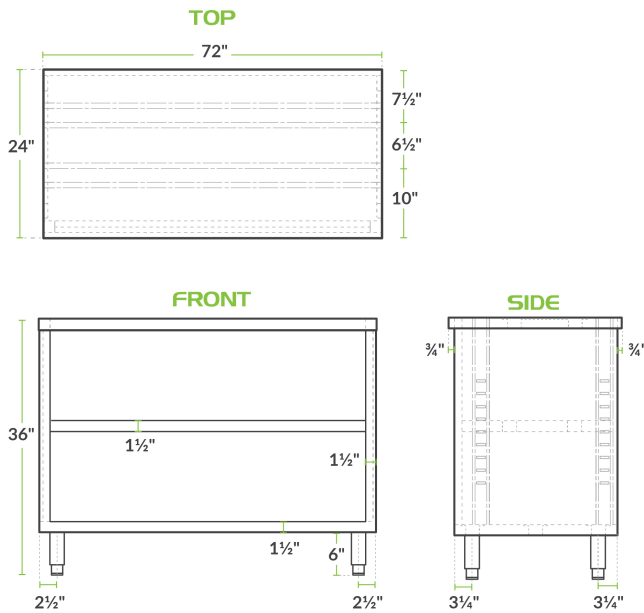
**Certifications**



## Technical Data

|                      |                      |
|----------------------|----------------------|
| Gauge                | 16 - 18 Gauge        |
| Mid-Shelf Capacity   | 270 lb.              |
| Stainless Steel Type | Type 304<br>Type 430 |
| Table Style          | Enclosed Base        |
| Tabletop Material    | Stainless Steel      |
| Top Capacity         | 730 lb.              |
| Undershelf Capacity  | 440 lb.              |

## Plan View



## Notes & Details

With both ample work space as well as storage space, this Regency 24" x 72" 16 gauge type 304 stainless steel enclosed base table will ensure your establishment is efficient and organized! A large 24" x 72" worktop will give you plenty of room to operate and is made of durable 16 gauge type 304 stainless steel. Plus, with a body made of 18 gauge type 430 stainless steel, this enclosed base table offers reliable durability in your kitchen.

The adjustable / removable midshelf allows you to maximize the storage space and fit both large as well as small items. The open front design provides quick identification for quicker and easier access to supplies. Bullet style feet easily adjust up and down so that your base can be leveled on uneven surfaces.

**⚠️ WARNING:** This product can expose you to chemicals including lead, which are known to the State of California to cause cancer and birth defects or other reproductive harm. For more information, go to [www.p65warnings.ca.gov](http://www.p65warnings.ca.gov).