



Regency 18" x 21" Stainless Steel Water Station with Ice Bin - 23 lb.

#600DIWIB2118



Technical Data

Length	17 7/8 Inches
Width	21 1/8 Inches
Height	11 15/16 Inches
Cutout Length	15 1/4 Inches
Ice Bin Length	13 1/2 Inches
Spout Length	4 1/2 Inches
Cutout Width	20 7/16 Inches
Ice Bin Width	11 5/8 Inches
Ice Bin Depth	10 7/8 Inches
Ice Bin Height	10 7/8 Inches

Features

- 10 7/8" deep insulated ice bin with 23 lb. capacity
- Removable grate covers drip pan and ice bin cover
- Rubber thermal breaker reduces condensation
- 1" IPS brass drains for drip tray and ice bin
- Durable 20 gauge stainless steel construction

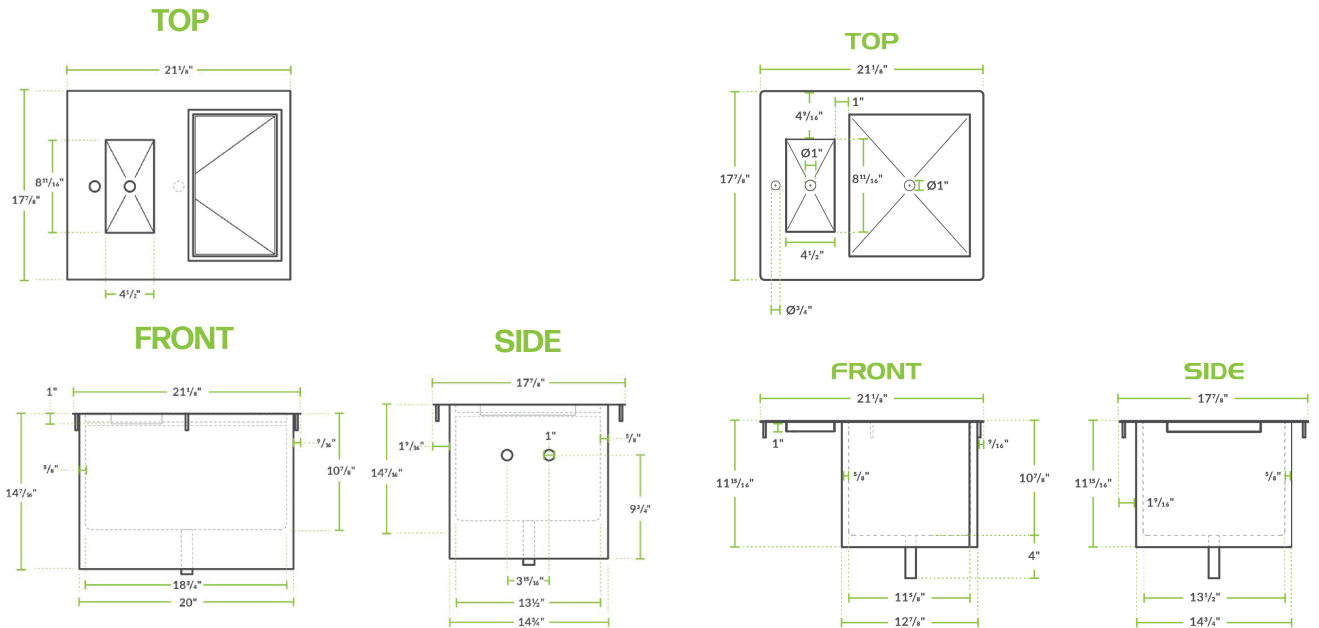
Certifications



Technical Data

Capacity	23 lb.
Features	NSF Certified
Installation Type	Drop-In
Lid	With Lid
Material	Stainless Steel
Style	Push Back
Type	Water Stations with Ice Bin

Plan View



Notes & Details

Prepare drinks with increased efficiency and ease thanks to the Regency stainless steel drop-in water station. A 10 7/8" deep insulated ice bin features a 23 lb. capacity to accommodate busy restaurant beverage stations or bars, and an integrated rubber thermal breaker works to reduce condensation. A drip pan with a removable grate helps to contain spills and drips for a safer, cleaner environment.

This standard-duty unit is designed for years of long-lasting use with the help of its 20 gauge fully stainless steel construction. A sliding stainless steel ice bin cover is also included to prevent contaminants from coming into contact with your ice. Extruded black polyethylene molding with a thermal breaker marine edge adds extra durability. The unit has (2) 1" IPS brass drains, one each for the ice bin and the drip pan. Glass filler is sold separately.