



Regency 16-Gauge 7' Soiled / Dirty Dish Table with 3-Compartment Sink - 16" x 20" x 14" Bowls - Left Drainboard

#600DDTS384LFT



Technical Data

Length	84 Inches
Width	30 Inches
Height	44 3/4 Inches
Bowl Depth	14 Inches
Backsplash Height	10 3/4 Inches
Work Surface Height	34 Inches
Backsplash	With Backsplash
Bowl Front to Back	20 Inches
Bowl Left to Right	16 Inches
Drain Opening	3 1/2 Inches

Features

- Ideal for restaurant and hotel dishwashing stations
- 16 gauge, 304 series stainless steel construction
- 10 3/4" high backsplash and a 2" return for drainage
- Lip attaches to dishwasher (sold separately)
- Features straight design with a drainboard on the left side

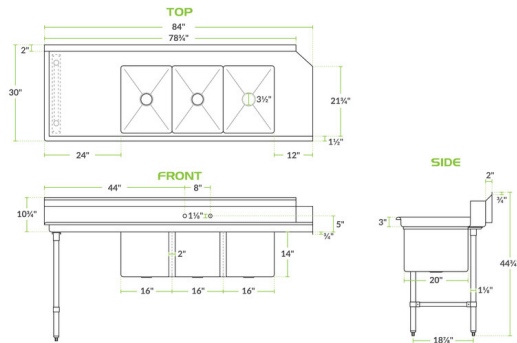
Certifications



Technical Data

Features	NSF Certified With Sink
Gauge	16 Gauge
Installation Type	Left Side
Leg Construction	Stainless Steel
Material	Stainless Steel
Number of Compartments	3 Compartments
Stainless Steel Type	Type 304
Style	Straight
Type	Dirty / Soiled Dishables

Plan View



Notes & Details

Enhance the space of your washing area or add a washing, rinsing, and sanitizing station with this Regency 16-gauge 7' soiled / dirty dish table with 3-compartment sink. This table is made of 16 gauge type 304 stainless steel for long-lasting durability and has (3) 16" x 20" x 14" sink bowls with 1 1/2" IPS waste drains. Plus, this unit is supplied with 1 1/8" holes for the installation of a faucet (sold separately). This dish table is ideal for restaurant and hotel dishwashing stations.

It also has a 10 3/4" backsplash to protect your walls from water damage and impact from warewashing racks and a 2" return on the sides to help contain excess water that drips from your dishes and aid in draining. This dish table has a straight design, a drainboard on the left side, and is made to attach the lip to your dishwasher (sold separately). The 1 5/8" diameter stainless steel legs come equipped with welded cross-bracing to provide additional support for heavily loaded dish racks.

⚠ WARNING: This product can expose you to chemicals including lead, which are known to the State of California to cause cancer and birth defects or other reproductive harm. For more information, go to www.p65warnings.ca.gov.