



Regency 16 Gauge 7' Soiled / Dirty Dish Table - Right Drainboard

#600DDT84R



Technical Data

Length	84 Inches
Width	30 Inches
Height	44 3/4 Inches
Bowl Depth	6 Inches
Backsplash Height	10 Inches
Work Surface Height	34 3/4 Inches
Backsplash	With Backsplash
Bowl Front to Back	20 1/4 Inches
Bowl Left to Right	20 1/4 Inches
Drain Opening	3 1/2 Inches

Features

- Ideal for restaurant and hotel dishwashing stations
- 16 gauge, 304 series stainless steel construction
- 10 3/4" high backsplash and a 2" return for drainage
- Durable bullet feet
- Lip attaches to dishwasher

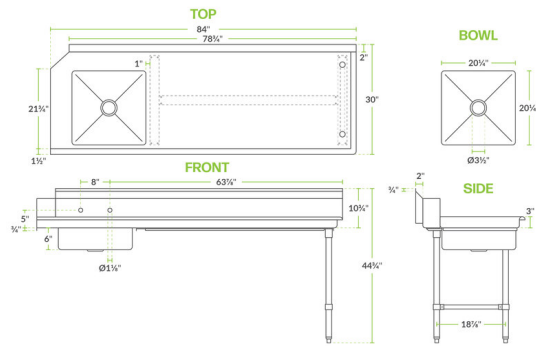
Certifications



Technical Data

Features	Massachusetts Accepted Plumbing Product NSF Certified With Sink
Gauge	16 Gauge
Installation Type	Right Side
Leg Construction	Stainless Steel
Material	Stainless Steel
Number of Compartments	1 Compartment
Stainless Steel Type	Type 304
Style	Straight
Type	Dirty / Soiled Dishtables

Plan View



Notes & Details

Provide plenty of space to rinse china and glassware, remove scraps, and load warewashing racks by adding this Regency 7' stainless steel soil dish table to your warewashing system. This table is made of 16 gauge type 304 stainless steel for long-lasting durability and has a built-in 20 1/4" x 20 1/4" x 6" pre-rinse sink punched for a standard basket drain. Plus, this unit is supplied with holes on 8" centers for the installation of a pre-rinse faucet (sold separately).

It also has a 10 3/4" backsplash to protect your walls from water damage and impact from warewashing racks and a 2" return on the sides to help contain excess water that drips from your dishes and aid in draining. This dish table has a straight design and is made to connect to the side of your dishmachine. The 1 5/8" diameter stainless steel legs come equipped with welded cross-bracing to provide additional support for heavily loaded dish racks.

⚠ WARNING: This product can expose you to chemicals including lead, which are known to the State of California to cause cancer and birth defects or other reproductive harm. For more information, go to www.p65warnings.ca.gov.